

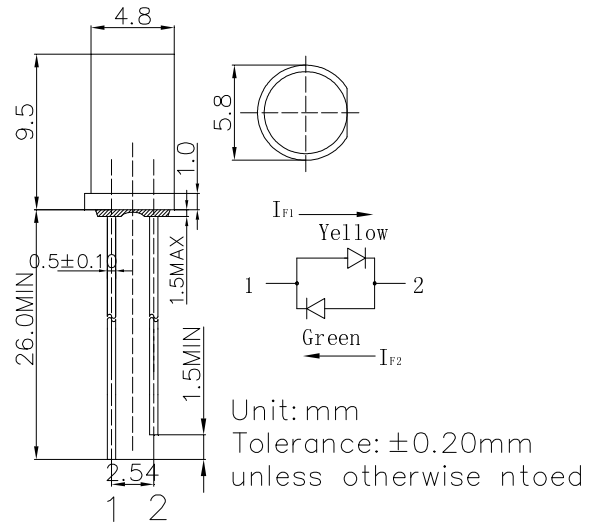
■Features

- High Luminous LEDs
- 5mm Cylinder Standard Directivity
- Long Lifetime Operation
- UV Resistant Epoxy
- Water Clear Type
- Bi-polar Type

■Applications

- Toys
- Audio
- Games
- Other Lighting

■Outline Dimension



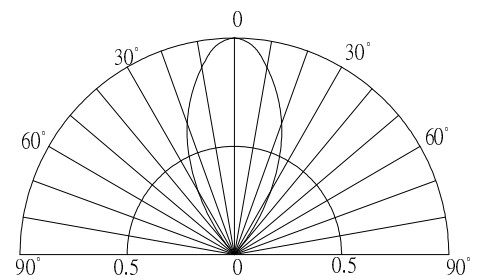
■Absolute Maximum Rating

(Ta=25°C)

Item	Symbol	Value		Unit
		Yellow	Green	
DC Forward Current	IF	50	30	mA
Pulse Forward Current#	IFP	100	100	mA
Reverse Voltage	VR	5	5	V
Power Dissipation	PD	130	102	mW
Operating Temperature	Topr	-30 ~ +85		°C
Storage Temperature	Tstg	-40 ~ +100		°C
Lead Soldering Temperature	Tsol	260°C/5sec		-

#Pulse width Max.10ms Duty ratio max 1/10

■Directivity



■Electrical -Optical Characteristics

(Ta=25°C)

Item	Symbol	Condition	Min.	Typ.	Max.	Unit
DC Forward Voltage*1	VF (Yellow)	IF1=20mA	-	2.1	2.6	V
	VF (Green)	IF2=20mA	-	2.9	3.4	V
Domi. Wavelength*2	λD (Yellow)	IF1=20mA	585	590	595	nm
	λD (Green)	IF2=20mA	520	525	530	nm
Luminous Intensity*3	IV (Yellow)	IF1=20mA	750	1120	-	mcd
	IV (Green)	IF2=20mA	2180	3000	-	mcd
50%Power Angle	2θ1/2	IF1=20mA	-	50	-	deg

*1 Tolerance of measurements of forward voltage is ±0.1V

*2 Tolerance of measurements of Domi. wavelength is ±1nm

*3 Tolerance of measurements of luminous intensity is ±15%