

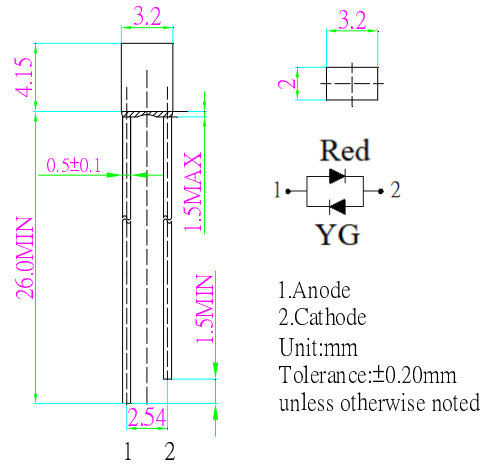
■Features

- High Luminous LEDs
- 2*3*4mm Rectangular Standard Directivity
- Long Lifetime Operation
- UV Resistant Epoxy
- Water Clear Type

■Applications

- Toys
- Audio
- Games
- Other Lighting

■Outline Dimension



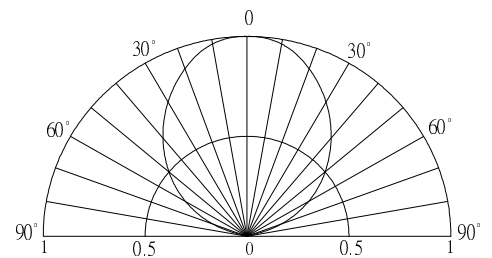
■Absolute Maximum Rating

(Ta=25°C)

Item	Symbol	Value		Unit
		RED	YG	
DC Forward Current	I _F	30	30	mA
Pulse Forward Current#	I _{FP}	100	100	mA
Reverse Voltage	V _R	5	5	V
Power Dissipation	P _D	78	78	mW
Operating Temperature	T _{opr}	-30 ~ +85		°C
Storage Temperature	T _{stg}	-40 ~ +100		°C
Lead Soldering Temperature	T _{sol}	260°C/5sec		-

#Pulse width Max.10ms Duty ratio max 1/10

■Directivity



■Electrical -Optical Characteristics

(Ta=25°C)

Item	Color	Symbol	Condition	Min.	Typ.	Max.	Unit
DC Forward Voltage*1	RED	V _{F1}	I _{F1} =20mA	-	2.1	2.6	V
	YG	V _{F2}	I _{F2} =20mA	-	2.1	2.6	V
Domi. Wavelength*2	RED	λ _{D1}	I _{F1} =20mA	620	625	630	nm
	YG	λ _{D2}	I _{F2} =20mA	565	570	575	nm
Luminous Intensity*3	RED	I _{V1}	I _{F1} =20mA	100	150	-	mcd
	YG	I _{V2}	I _{F2} =20mA	68	100	-	mcd
50%Power Angle	RED	2θ _{1/2}	I _{F1} =20mA	-	100	-	deg
	YG	2θ _{1/2}	I _{F2} =20mA	-	100	-	deg

*1 Tolerance of measurements of forward voltage is ±0.1

*2 Tolerance of measurements of dominant wavelength is ±1nm

*3 Tolerance of measurements of luminous intensity is ±15%

LED & Application Technologies

