

**E10 Current Regulative LED Screw Lamp
(CRLED)**

- CRLED is LED which supplies constant current to keep LED Intensity Consistency even when power supply voltage fluctuations or load impedance fluctuations occur.
- CRLED is used with current stabilization and current limiting

■ Features

- High Luminous LEDs
- 8mm Round Standard Directivity
- UV Resistant Epoxy
- Water Clear Type

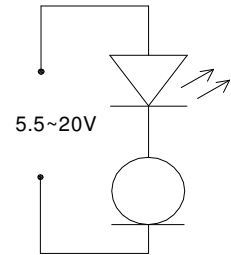
■ Applications

- Electronic Signs And Signals/ Small Area Illuminations
- Toys/ Other Lighting

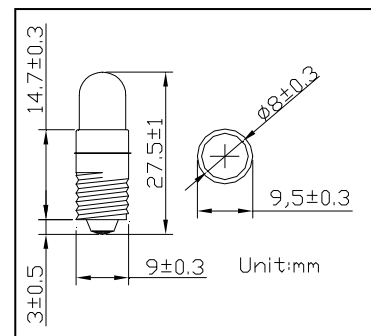
Photo



Circuit Diagram



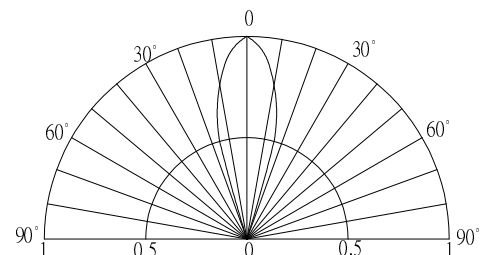
Outline Dimension



■ Absolute Maximum Rating (Ta=25°C)

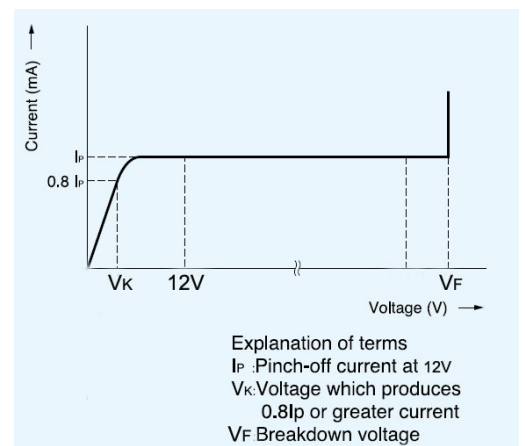
Item	Symbol	Value	Unit
DC Forward Voltage	V _F	20	V
Power Dissipation	P _D	320	mW
Operating Temperature	T _{opr}	-30 ~ +85	°C
Storage Temperature	T _{stg}	-40~ +100	°C
Lead Soldering Temperature	T _{sol}	260°C/5sec	-

■ Directivity



■ Electrical -Optical Characteristics (Ta=25°C)

Part Number	Color	Control Voltage*		CCT/Domi. Wavelength*	Luminous Intensity*
		DC (V)			
		Min	Max.	Typ.	Typ.
OPDD-W5DK8B31B-CRLED14	Cool White	5.5	20	8000-18000K	12000mcd
OPDD-M5DK8B31B-CRLED14	Warm White	5.5	20	2500-3500K	8000mcd
OPDD-B5SA8B31B-CRLED14	Blue	5.5	20	465-475nm	6500mcd
OPDD-G5DA8B31B-CRLED14	Green	5.5	20	520-530nm	12000mcd
OPDD-Y5MA8B31B-CRLED14	Yellow	5.5	20	585-595nm	8400mcd
OPDD-R5MA8B31B-CRLED14	Red	5.5	20	620-630nm	8400mcd



*1 Tolerance of measurements of chromaticity coordinate is ±10%

*2 Tolerance of measurements of dominant wavelength is ±1nm

*3 Tolerance of measurements of luminous intensity is ±15%

*4 Tolerance of measurements of forward voltage is ±0.1V