

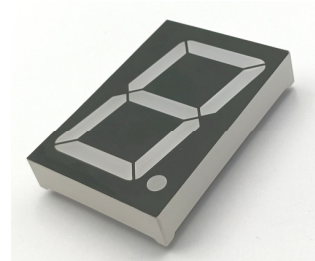
■ **Features**

- 2.3 Inch Single Digit Display
- Long lifetime operation
- IC compatible
- Low power dissipation
- Black surface & white segment or dot
- Number of pins :10

■ **Applications**

- Counting device / Clock

■ **Photo**



■ **Absolute Maximum Rating** (Ta=25°C)

Item	Symbol	Value		Unit
		YG/Y/O/R/RA	W/B/PG	
DC Forward Current	I <sub>F</sub>	20	20	mA
Pulse Forward Current#	I <sub>FP</sub>	100	100	mA
Reverse Voltage / Per Segment or (Dp)	V <sub>R</sub>	15(10)	15(10)	V
Power Dissipation / Per Segment or (Dp)	P <sub>t</sub>	144(96)	204(136)	mW
Operating Temperature	Topr	-30 ~ +70		°C
Storage Temperature	Tstg	-40~ +85		°C
Lead Soldering Temperature(1.6mm from seating plane)	Tsol	260°C/5sec		°C

#Pulse width Max.10ms Duty ratio max 1/10

■ **Electrical -Optical Characteristics** (Ta=25°C)

Part Number	Color		V <sub>F</sub> (V)			I <sub>R</sub> (μA)	I <sub>v</sub> (mcd)			λD(nm)		
			Per Segment or (Dp)				Max.	Min.	Typ.	Max.	Min.	Typ.
			Min.	Typ.	Max.	I <sub>F</sub> =20mA						
OSL12306-IW / LW	White	W	-	9.0(6.0)	10.2(6.8)	10	-	80	-	CCT:8500-18000K		
OSL12306-IB / LB	Blue	B	-	9.0(6.0)	10.2(6.8)	10	-	50	-	460	465	475
OSL12306-IG / LG	Pure Green	PG	-	9.0(6.0)	10.2(6.8)	10	-	200	-	515	525	530
OSL12306-IYG / LYG	Yellow Green	YG	-	6.0(4.0)	7.2(4.8)	10	-	12	-	565	570	575
OSL12306-IY / LY	Yellow	Y	-	6.0(4.0)	7.2(4.8)	10	-	60	-	585	590	595
OSL12306-IO / LO	Orange	O	-	6.0(4.0)	7.2(4.8)	10	-	70	-	600	605	610
OSL12306-IR / LR	Red	R	-	6.0(4.0)	7.2(4.8)	10	-	26	-	625	630	640
OSL12306-IRA / LRA	High Luminance Red	RA	-	6.0(4.0)	7.2(4.8)	10	-	100	-	620	625	630

\*1 Tolerance of measurements of color temperature is ±10%

\*2 Tolerance of measurements of dominant wavelength is ±1nm

\*3 Tolerance of measurements of luminous intensity is ±15%

\*4 Tolerance of measurements of forward voltage is ±0.1V

<b>2.3 Inch Single Digit Display</b>
<b>OSL12306-IX (Common Anode type)</b>
<b>OSL12306-LX (Common Cathode type)</b>

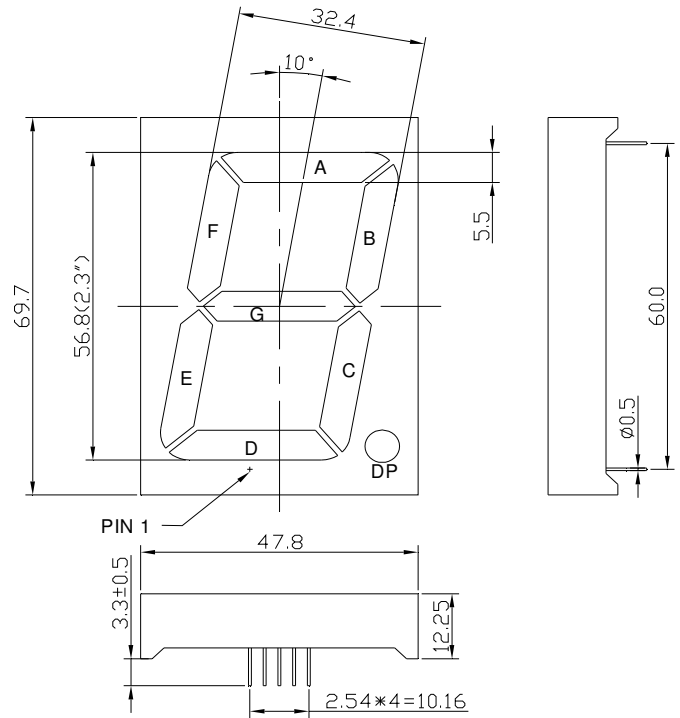
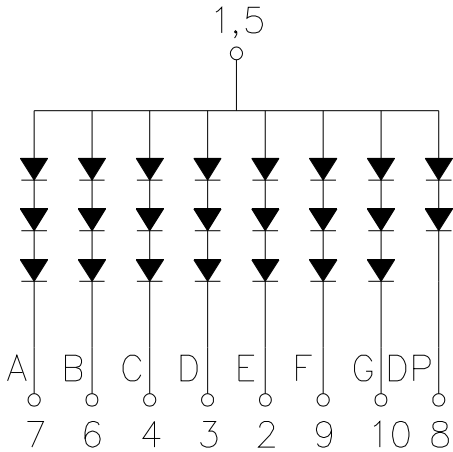
■ **Package Dimensions and Pin Function**

**OSL12306-IX**

**(Common Anode type)**

Note:

- 1, Unit : mm( Tolerance:±0.25mm unless otherwise noted)
- 2, The slope angle of any PIN may be±5.0°Max



**OSL12306-LX**

**(Common Cathode type)**

Note:

- 1, Unit : mm( Tolerance:±0.25mm unless otherwise noted)
- 2, The slope angle of any PIN may be±5.0°Max

