

■ Description

This LED is built with two different or same color LEDs. It builds with resistors to operate with wide operation voltage of DC3-15V.

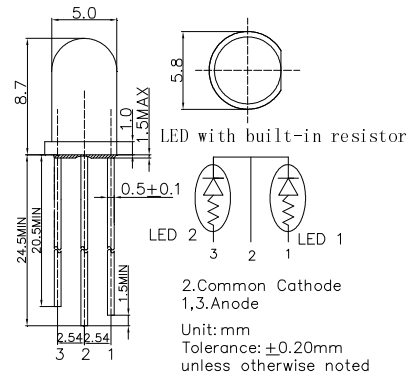
■ Features

- Wide Input Voltage
- Cost Saving and Space Saving
- White Diffused type
- Bi-color Common Cathode Type

■ Applications

- Toys/Game/Audio
- TTL/Cmos Compatible
- Arduino/Pi Pico/Steam Kit
- Other electronics products

■ Outline Dimension

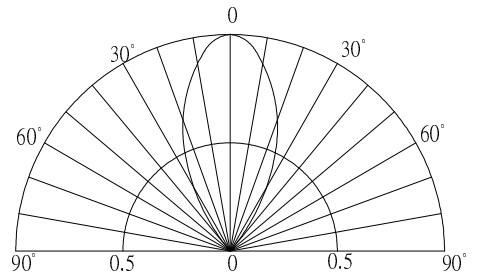


■ Absolute Maximum Rating

(Ta=25°C)

Item	Symbol	Value	Unit
DC Forward Voltage	V _F	15	V
Reverse Voltage	V _R	12	V
Power Dissipation	P _D	190	mW
Operating Temperature	T _{opr}	-30 ~ +85	°C
Storage Temperature	T _{stg}	-40 ~ +100	°C
Lead Soldering Temperature	T _{sol}	260°C/5sec	-

■ Directivity

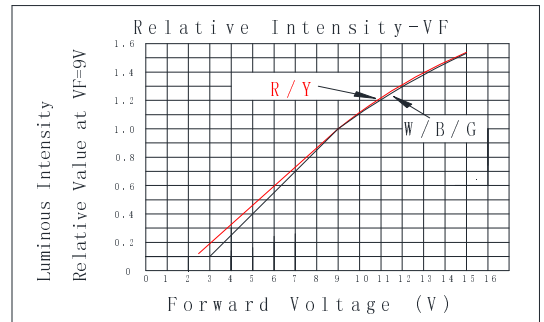


■ Electrical -Optical Characteristics

(Ta=25°C)

Color	I _F (mA)			I _v (mcd)*			λD(nm)/CCT(K)*			θ1/2(deg)
	Min.	Typ.	Max.	Min.	Typ.	Max.	Min.	Typ.	Max.	
	V _F =9V									
Red	-	7.5	-	-	220	-	620	625	630	50
Yellow	-	7.5	-	-	220	-	585	590	595	
Blue	-	8.0	-	-	150	-	465	470	475	
Pure Green	-	8.0	-	-	750	-	520	525	530	
Cool White	-	8.0	-	-	750	-	CCT:8500-18000K			
Warm White	-	8.0	-	-	750	-	CCT:2700-3300K			

■ Optical Characteristic Curves



■ Part Number

Color	Red	Yellow	Pure Green	Blue
Red	OSRRMC5A52A-VV	OSRYMC5A52A-VV	OSRPMC5A52A-VV	OSRBMC5A52A-VV
Yellow	OSRYMC5A52A-VV	OSYYMC5A52A-VV	OSYPMC5A52A-VV	OSYBMC5A52A-VV
Pure Green	OSRPMC5A52A-VV	OSYPMC5A52A-VV	OSPDC5A52A-VV	OSPBDC5A52A-VV
Blue	OSRBMC5A52A-VV	OSYBMC5A52A-VV	OSPBDC5A52A-VV	OSBBDC5A52A-VV
Cool White	OSRWMC5A52A-VV	OSYWMC5A52A-VV	OSPWDC5A52A-VV	OSBWDC5A52A-VV
Warm White	OSRMMC5A52A-VV	OSYMMC5A52A-VV	OSPMDC5A52A-VV	OSBMDC5A52A-VV

*1 Tolerance of measurements of chromaticity coordinates is ±10%

*2 Tolerance of measurements of dominant wavelength is ±1nm

*3 Tolerance of measurements of luminous intensity is ±15%

*4 Tolerance of measurements of forward voltage is ±0.1V