

**■Description**

- This LED is built with two different or same color LEDs. It builds with resistors to operate with wide operation voltage of DC3-15V.
- 50pcs are supplied in a storage box
- Easy to use and storage, user-friendly
- Widely applied to project design, Arduino/Pi Pico/Steam kit, TTL/Cmos compatible applications

**■Product Picture**

50pcs/Box (Dimensions: 80\*54\*30mm)



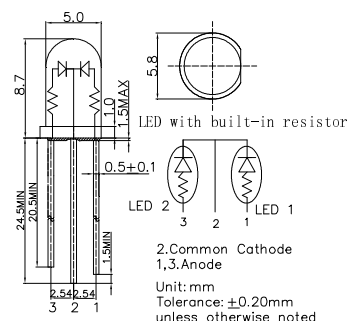
**■Features**

- Wide Input Voltage
- Cost Saving and Space Saving
- White Diffused Type
- Bi-color Common Cathode Type

**■Applications**

- Toys/Game/Audio
- TTL/Cmos Compatible
- Arduino/Pi Pico/Steam Kit
- Other Electronics Products

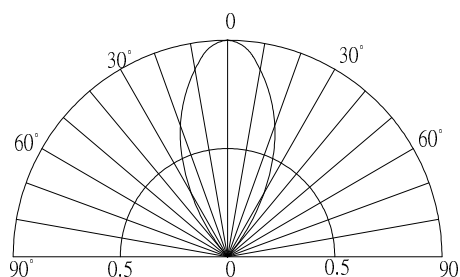
**■Outline Dimension**



**■Absolute Maximum Rating (Ta=25°C)**

Item	Symbol	Value	Unit
DC Forward Voltage	V <sub>F</sub>	15	V
Reverse Voltage	V <sub>R</sub>	12	V
Power Dissipation	P <sub>D</sub>	190	mW
Operating Temperature	T <sub>opr</sub>	-30 ~ +85	°C
Storage Temperature	T <sub>stg</sub>	-40~ +100	°C
Lead Soldering Temperature	T <sub>sol</sub>	260°C/5sec	-

**■Directivity**



**■Electrical -Optical Characteristics (Ta=25°C)**

LED P/N	OSRPMC5A52A-VV	
Light Color	Red	Pure Green
Lens Color	White Diffused	
Wavelength*1	620-630nm	520-530nm
Luminous Intensity(typ.)*2	220mcd	750mcd
Forward Voltage(typ.)	9V	9V
Forward Current(typ.)*3	8mA	7.5mA
Viewing Angle(typ.)	50°	50°
Quantity(pcs)/Box	50	

\*1 Tolerance of measurements of dominant wavelength is ±1nm

\*2 Tolerance of measurements of luminous intensity is ±15%

\*3 Tolerance of measurements of forward current ±1mA

**■Optical Characteristic Curves**

