

### ■Description

- This LED builds with internal resistor to operate with wide operation voltage of DC3-15V
- 50pcs are supplied in a storage box
- Easy to use and storage, user-friendly
- Widely applied to project design, Arduino/Pi Pico/Steam kit, TTL/Cmos compatible applications

### ■Product Picture

50pcs/Box (Dimensions: 67\*49\*23mm)



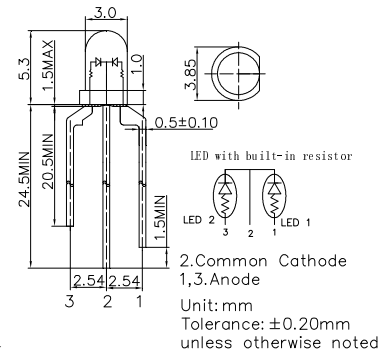
### ■Features

- Wide Input Voltage
- Cost Saving and Space Saving
- White Diffused Type
- Bi-color Common Cathode Type

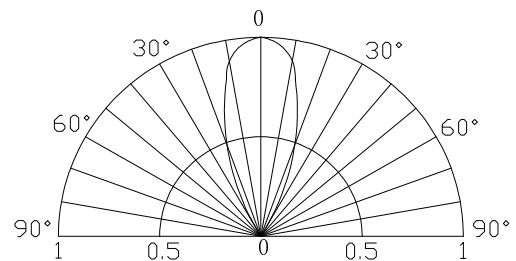
### ■Applications

- Toys/Game/Audio
- TTL/Cmos Compatible
- Arduino/Pi Pico/Steam Kit
- Other Electronics Products

### ■Outline Dimension



### ■Directivity



### ■Absolute Maximum Rating (Ta=25°C)

Item	Symbol	Value	Unit
DC Forward Voltage	V <sub>F</sub>	15	V
Reverse Voltage	V <sub>R</sub>	12	V
Power Dissipation	P <sub>D</sub>	190	mW
Operating Temperature	T <sub>opr</sub>	-30 ~ +85	°C
Storage Temperature	T <sub>stg</sub>	-40~ +100	°C
Lead Soldering Temperature	T <sub>sol</sub>	260°C/5sec	-

### ■Electrical -Optical Characteristics (Ta=25°C)

LED P/N	OSRBM3142A-VV	
Light Color	Red	Blue
Lens Color	White Diffused	
Wavelength*1	620-630nm	465-475nm
Luminous Intensity(typ.)*2	400mcd	300mcd
Forward Voltage(typ.)	9V	9V
Forward Current(typ.)*3	8mA	7.5mA
Viewing Angle(typ.)	40°	40°
Quantity(pcs)/Box	50	

\*1 Tolerance of measurements of dominant wavelength is ±1nm

\*2 Tolerance of measurements of luminous intensity is ±15%

\*3 Tolerance of measurements of forward current ±1mA

### ■Optical Characteristic Curves

