



■Description

- This RGB LED has three internal LEDs (Red, Green, and Blue) and three internal resistors that can be combined to deliver almost any color output with wide operation voltage of DC 3-15V.
- 50pcs are supplied in a storage box
- Easy to use and storage, user-friendly
- Widely applied to project design, Arduino/Pi Pico/Steam kit, TTL/Cmos compatible applications

■Product Picture

50pcs/Box (Dimensions: 80*54*30mm)



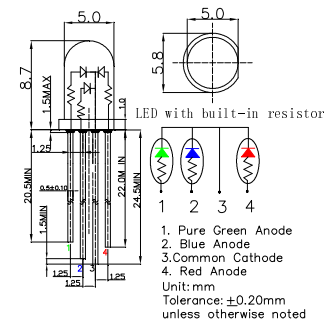
■Features

- Wide Input Voltage
- Cost Saving and Space Saving
- White Diffused Type
- Three-color Common Cathode Type

■Applications

- Toys/Game/Audio
- TTL/Cmos Compatible
- Arduino/Pi Pico/Steam Kit
- Other Electronics Products

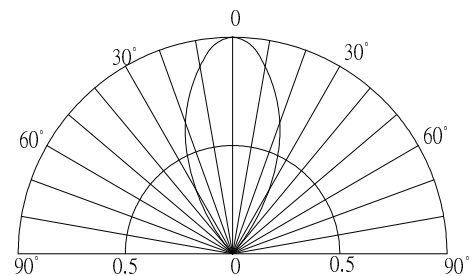
■Outline Dimension



■Absolute Maximum Rating (Ta=25°C)

Item	Symbol	Value	Unit
DC Forward Voltage	V_F	15	V
Reverse Voltage	V_R	12	V
Power Dissipation	P_D	190	mW
Operating Temperature	T_{opr}	-30 ~ +85	°C
Storage Temperature	T_{stg}	-40 ~ +100	°C
Lead Soldering Temperature	T_{sol}	260°C/5sec	-

■Directivity



■Electrical -Optical Characteristics (Ta=25°C)

LED P/N	OSTAMC5A52A-VV		
Light Color	Red	Pure Green	Blue
Lens Color	White Diffused		
Wavelength*1	620-630nm	520-530nm	465-475m
Luminous Intensity(typ.)*2	220mcd	750mcd	150mcd
Forward Voltage(typ.)	9V	9V	9V
Forward Current(typ.)*3	8mA	7.5mA	7.5mA
Viewing Angle(typ.)	50°	50°	50°
Quantity(pcs)/Box	50		

*1 Tolerance of measurements of dominant wavelength is ± 1 nm

*2 Tolerance of measurements of luminous intensity is $\pm 15\%$

*3 Tolerance of measurements of forward current ± 1 mA

■Optical Characteristic Curves

