

■Description

- This LED builds with internal resistor to operate with wide operation voltage of DC3-15V
- 50pcs are supplied in a storage box
- Easy to use and storage, user-friendly
- Widely applied to project design, Arduino/Pi Pico/Steam kit, TTL/Cmos compatible applications

■Product Picture

50pcs/Box (Dimensions: 67*49*23mm)



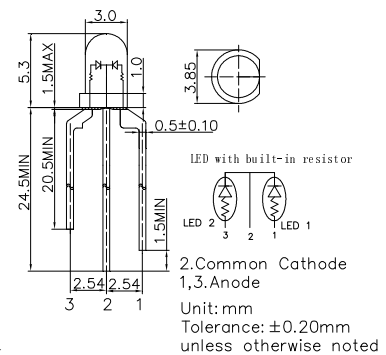
■Features

- Wide Input Voltage
- Cost Saving and Space Saving
- Water Clear
- Bi-color Common Cathode Type

■Applications

- Toys/Game/Audio
- TTL/Cmos Compatible
- Arduino/Pi Pico/Steam Kit
- Other Electronics Products

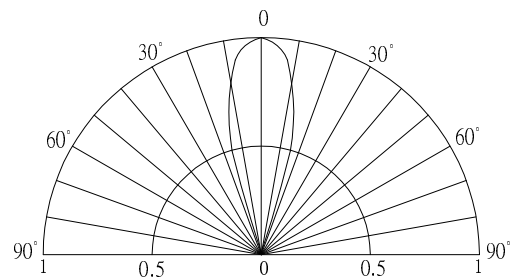
■Outline Dimension



■Absolute Maximum Rating (Ta=25°C)

Item	Symbol	Value	Unit
DC Forward Voltage	V _F	15	V
Reverse Voltage	V _R	12	V
Power Dissipation	P _D	190	mW
Operating Temperature	Topr	-30 ~ +85	°C
Storage Temperature	Tstg	-40 ~ +100	°C
Lead Soldering Temperature	Tsol	260°C/5sec	-

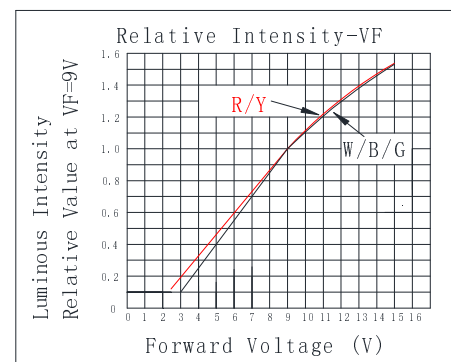
■Directivity



■Electrical -Optical Characteristics (Ta=25°C)

LED P/N	OSRPMC3131A-VV	
Light Color	Red	Pure Green
Lens Color	Water Clear	
Wavelength*1	620-630nm	520-530nm
Luminous Intensity(typ.)*2	2180mcd	4200mcd
Forward Voltage(typ.)*3	9V	9V
Forward Current(typ.)	8mA	7.5mA
Viewing Angle(typ.)	30°	30°
Quantity(pcs)/Box	50	

■Optical Characteristic Curves



*1 Tolerance of measurements of dominant wavelength is ±1nm

*2 Tolerance of measurements of luminous intensity is ±15%

*3 Tolerance of measurements of forward current ±1mA