

## 5mm LED Series

Item No.: OKLEDT5100M4



### ■Description

- 100pcs standard 5mm LED are supplied in a storage box
- Easy to use and storage
- Widely applied to DIY projects, school science experiments, car decorations, etc.

### ■Features

- 5mm round standard 30° directivity
- UV resistant epoxy
- Natural white color
- Water clear

### ■Absolute Maximum Rating (Ta=25°C)

Item	Symbol	Value	Unit
		Natural White	
DC Forward Current	I <sub>F</sub>	30	mA
Pulse Forward Current#	I <sub>FP</sub>	100	V
Reverse Voltage	V <sub>R</sub>	5	mW
Power Dissipation	P <sub>D</sub>	102	°C
Operating Temperature	Topr	-30 ~ +85	°C
Storage Temperature	Tstg	-40~ +100	-
Lead Soldering Temperature	Tsol	260°C/5sec	Unit

#Pulse width Max.10ms Duty ratio max 1/10

### ■Electrical -Optical Characteristics (Ta=25°C)

5mm LED	
LED P/N	OSM75131A
Light Color	Natural White
Lens Color	Water Clear
Color Temperature*1	3500-4500K
Luminous Intensity(typ.)*2	19000mcd
Forward Voltage*3	2.7-3.4V
Forward Current	20mA
Viewing Angle(typ.)	30°
Quantity(pcs)/Box	100

\*1 Tolerance of measurements of color temperature is  $\pm 10\%$

\*2 Tolerance of measurements of luminous intensity is  $\pm 15\%$

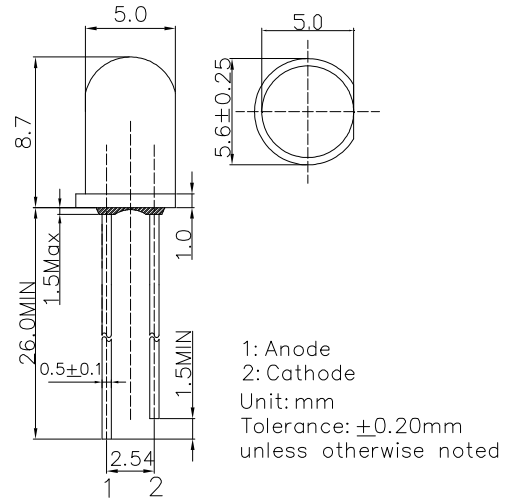
\*3 Tolerance of measurements of forward voltage is  $\pm 0.1V$

### ■Product Picture

100pcs/Box (Dimensions: 90\*65\*30mm)



### ■Outline Dimension



### ■Directivity

