

5mm LED Series

Item No.: OKLEDT5100B5



■Description

- 100pcs standard 5mm LED are supplied in a storage box
- Easy to use and storage
- Widely applied to DIY projects, school science experiments, car decorations, etc.

■Features

- 5mm round standard 30° directivity
- UV resistant epoxy
- Blue color
- Color diffused

■Absolute Maximum Rating (Ta=25°C)

Item	Symbol	Value	Unit
		Blue	
DC Forward Current	I _F	30	mA
Pulse Forward Current#	I _{FP}	100	V
Reverse Voltage	V _R	5	mW
Power Dissipation	P _D	102	°C
Operating Temperature	Topr	-30 ~ +85	°C
Storage Temperature	Tstg	-40~ +100	-
Lead Soldering Temperature	Tsol	260°C/5sec	Unit

#Pulse width Max.10ms Duty ratio max 1/10

■Electrical -Optical Characteristics (Ta=25°C)

5mm LED	
LED P/N	OSB55134A
Light Color	Blue
Lens Color	Blue Diffused
Wavelength*1	462.5-472.5nm
Luminous Intensity(typ.)*2	2180mcd
Forward Voltage*3	2.7-3.4V
Forward Current	20mA
Viewing Angle(typ.)	30°
Quantity(pcs)/Box	100

*1 Tolerance of measurements of dominant wavelength is ±1nm

*2 Tolerance of measurements of luminous intensity is ±15%

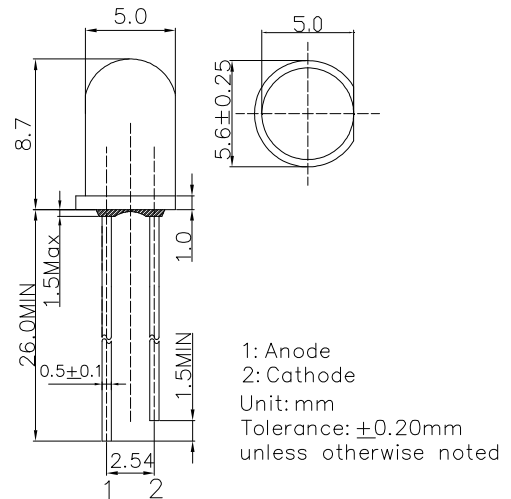
*3 Tolerance of measurements of forward voltage is ±0.1V

■Product Picture

100pcs/Box (Dimensions: 90*65*30mm)



■Outline Dimension



■Directivity

