
■Description

- This LED builds with internal resistor to operate with wide operation voltage of DC3-15V
- 50pcs are supplied in a storage box
- Easy to use and storage, user-friendly
- Widely applied to project design, Arduino/Pi Pico/Steam kit, TTL/Cmos compatible applications

■Product Picture

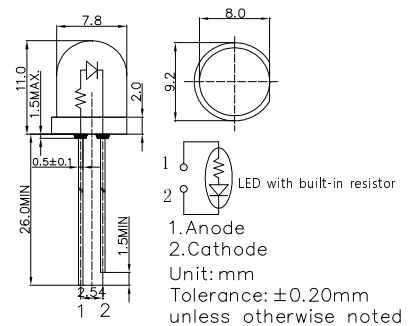
50pcs/Box (Dimensions: 90*65*30mm)


■Features

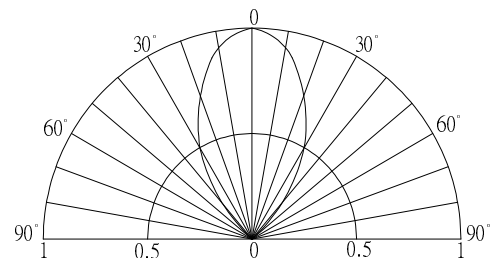
- Wide Input Voltage
- Cost Saving and Space Saving
- Blue Diffused Type
- Blue Color

■Applications

- Toys/Game/Audio
- TTL/Cmos Compatible
- Arduino/Pi Pico/Steam Kit
- Other Electronics Products

■Outline Dimension

■Absolute Maximum Rating (Ta=25°C)

Item	Symbol	Value	Unit
DC Forward Voltage	V_F	15	V
Reverse Voltage	V_R	12	V
Power Dissipation	P_D	190	mW
Operating Temperature	T_{opr}	-30 ~ +85	°C
Storage Temperature	T_{stg}	-40 ~ +100	°C
Lead Soldering Temperature	T_{sol}	260°C/5sec	-

■Directivity

■Electrical -Optical Characteristics (Ta=25°C)

8mm Multi-Voltage LED	
LED P/N	OSB58164A-VV
Light Color	Blue
Lens Color	Blue Diffused
Wavelength*1	465-475nm
Luminous Intensity(typ.)*2	100mcd
Forward Voltage(typ.)	9V
Forward Current(typ.)*3	7.5mA
Viewing Angle(typ.)	60°
Quantity(pcs)/Box	50

*1 Tolerance of measurements of dominant wavelength is ± 1 nm

*2 Tolerance of measurements of luminous intensity is $\pm 15\%$

*3 Tolerance of measurements of forward current ± 1 mA

■Optical Characteristic Curves
