

**■Description**

- This LED builds with internal resistor to operate with wide operation voltage of DC3-15V
- 50pcs are supplied in a storage box
- Easy to use and storage, user-friendly
- Widely applied to project design, Arduino/Pi Pico/Steam kit, TTL/Cmos compatible applications

**■Product Picture**

50pcs/Box (Dimensions: 67\*49\*23mm)



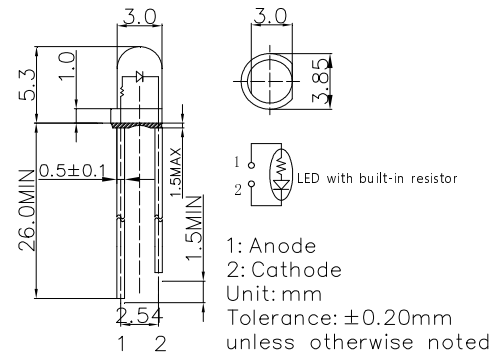
**■Features**

- Wide Input Voltage
- Cost Saving and Space Saving
- White Diffused Type
- Cool White Color

**■Applications**

- Toys/Game/Audio
- TTL/Cmos Compatible
- Arduino/Pi Pico/Steam Kit
- Other Electronics Products

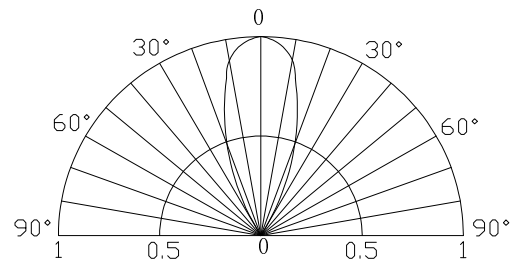
**■Outline Dimension**



**■Absolute Maximum Rating (Ta=25°C)**

Item	Symbol	Value	Unit
DC Forward Voltage	V <sub>F</sub>	15	V
Reverse Voltage	V <sub>R</sub>	12	V
Power Dissipation	P <sub>D</sub>	190	mW
Operating Temperature	T <sub>opr</sub>	-30 ~ +85	°C
Storage Temperature	T <sub>stg</sub>	-40~ +100	°C
Lead Soldering Temperature	T <sub>sol</sub>	260°C/5sec	-

**■Directivity**



**■Electrical -Optical Characteristics (Ta=25°C)**

3mm Multi-Voltage LED	
LED P/N	OSW53142A-VV
Light Color	Cool White
Lens Color	White Diffused
Color Temperature*1	8500-18000K
Luminous Intensity(typ.)*2	1560mcd
Forward Voltage(typ.)	9V
Forward Current(typ.)*3	7.5mA
Viewing Angle(typ.)	40°
Quantity(pcs)/Box	50

\*1 Tolerance of measurements of color temperature is ±10%

\*2 Tolerance of measurements of luminous intensity is ±15%

\*3 Tolerance of measurements of forward current ±1mA

**■Optical Characteristic Curves**

