

**■Description**

- This LED builds with internal resistor to operate with wide operation voltage of DC3-15V
- 50pcs are supplied in a storage box
- Easy to use and storage, user-friendly
- Widely applied to project design, Arduino/Pi Pico/Steam kit, TTL/Cmos compatible applications

**■Product Picture**

50pcs/Box (Dimensions: 90\*65\*30mm)



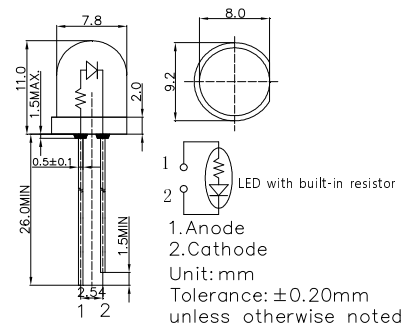
**■Features**

- Wide Input Voltage
- Cost Saving and Space Saving
- Water Clear
- Warm White Color

**■Applications**

- Toys/Game/Audio
- TTL/Cmos Compatible
- Arduino/Pi Pico/Steam Kit
- Other Electronics Products

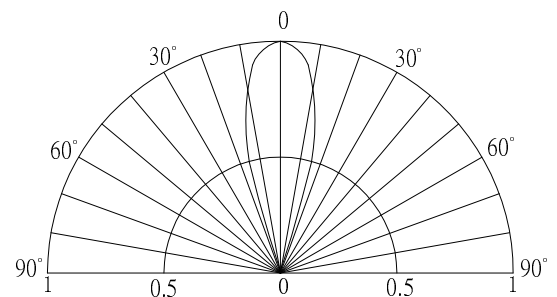
**■Outline Dimension**



**■Absolute Maximum Rating (Ta=25°C)**

| Item                       | Symbol           | Value      | Unit |
|----------------------------|------------------|------------|------|
| DC Forward Voltage         | V <sub>F</sub>   | 15         | V    |
| Reverse Voltage            | V <sub>R</sub>   | 12         | V    |
| Power Dissipation          | P <sub>D</sub>   | 190        | mW   |
| Operating Temperature      | T <sub>opr</sub> | -30 ~ +85  | °C   |
| Storage Temperature        | T <sub>stg</sub> | -40~ +100  | °C   |
| Lead Soldering Temperature | T <sub>sol</sub> | 260°C/5sec | -    |

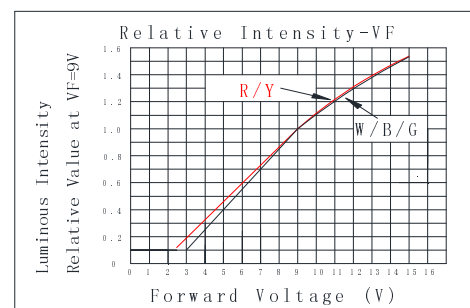
**■Directivity**



**■Electrical -Optical Characteristics (Ta=25°C)**

| 8mm Multi-Voltage LED      |              |
|----------------------------|--------------|
| <b>LED P/N</b>             | OSM58131A-VV |
| Light Color                | Warm White   |
| Lens Color                 | Water Clear  |
| Color Temperature*1        | 2700-3300K   |
| Luminous Intensity(typ.)*2 | 7000mcd      |
| Forward Voltage(typ.)      | 9V           |
| Forward Current(typ.)*3    | 7.5mA        |
| Viewing Angle(typ.)        | 30°          |
| Quantity(pcs)/Box          | 50           |

**■Optical Characteristic Curves**



\*1 Tolerance of measurements of color temperature is ±10%

\*2 Tolerance of measurements of luminous intensity is ±15%

\*3 Tolerance of measurements of forward current ±1mA