

■ Description

This LED is built with two different or same color LEDs. It builds with resistors to operate with wide operation voltage of DC3-15V.

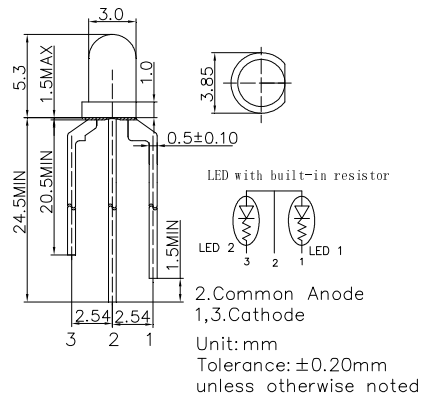
■ Features

- Wide Input Voltage
- Cost Saving and Space Saving
- White Diffused type
- Bi-color Common Anode Type

■ Applications

- Toys/Game/Audio
- TTL/Cmos Compatible
- Arduino/Steam Kit
- Other electronics products

■ Outline Dimension

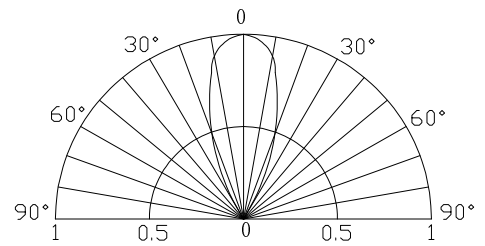


■ Absolute Maximum Rating

(Ta=25°C)

| Item | Symbol | Value | Unit |
|----------------------------|----------------|------------|------|
| DC Forward Voltage | V _F | 15 | V |
| Reverse Voltage | V _R | 12 | V |
| Power Dissipation | P _D | 190 | mW |
| Operating Temperature | Topr | -30 ~ +85 | °C |
| Storage Temperature | Tstg | -40 ~ +100 | °C |
| Lead Soldering Temperature | Tsol | 260°C/5sec | - |

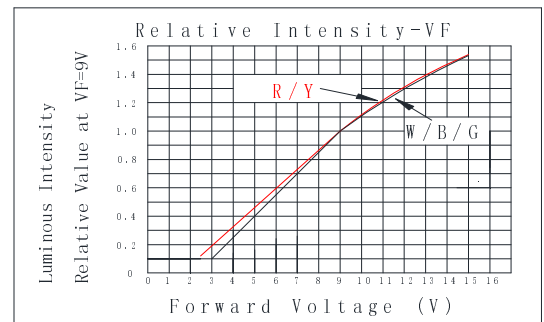
■ Directivity



■ Electrical -Optical Characteristics (Ta=25°C)

| Color | I _F (mA) | | | I _v (mcd)* | | | λD(nm)/CCT(K)* | | | θ1/2(deg) |
|--------------------|---------------------|------|------|-----------------------|------|------|-----------------|------|------|-----------|
| | Min. | Typ. | Max. | Min. | Typ. | Max. | Min. | Typ. | Max. | Typ. |
| V _F =9V | | | | | | | | | | |
| Red | - | 7.5 | - | - | 400 | - | 620 | 625 | 630 | 40 |
| Yellow | - | 7.5 | - | - | 400 | - | 585 | 590 | 595 | |
| Blue | - | 8.0 | - | - | 300 | - | 465 | 470 | 475 | |
| Pure Green | - | 8.0 | - | - | 1560 | - | 520 | 525 | 530 | |
| Cool White | - | 8.0 | - | - | 1560 | - | CCT:8000-18000K | | | |
| Warm White | - | 8.0 | - | - | 1560 | - | CCT:2700-3300K | | | |

■ Optical Characteristic Curves



■ Part Number

| Color | Red | Yellow | Pure Green | Blue |
|------------|----------------|-----------------|-----------------|----------------|
| Red | OSRRMA3142A-VV | OSRYMA3142A-VV | OSRPMA3142A-VV | OSRBMA3142A-VV |
| Yellow | OSRYMA3142A-VV | OSYYMA3142A-VV | OSYPMA3142A-VV | OSYBMA3142A-VV |
| Pure Green | OSRPMA3142A-VV | OSYPMA3142A-VV | OSPPDA3142A-VV | OSPBDA3142A-VV |
| Blue | OSRBMA3142A-VV | OSYBMA3142A-VV | OSPBDA3142A-VV | OSBBDA3142A-VV |
| Cool White | OSRWMA3142A-VV | OSYWMA3142A-VV | OSPWDMA3142A-VV | OSBWDA3142A-VV |
| Warm White | OSRMMA3142A-VV | OSYMMMA3142A-VV | OSPMMA3142A-VV | OSBMMA3142A-VV |

*1 Tolerance of measurements of chromaticity coordinates is ±10%

*2 Tolerance of measurements of dominant wavelength is ±1nm

*3 Tolerance of measurements of luminous intensity is ±15%

*4 Tolerance of measurements of forward voltage is ±0.1V