

**■ Description**

- LED Kit contains pre-wired LEDs, resistors and mounting clips
- 160pcs are supplied in a storage box
- Easy to use and storage
- Widely applied to DIY projects, school science experiments, car decorations, etc.

**■ Features**

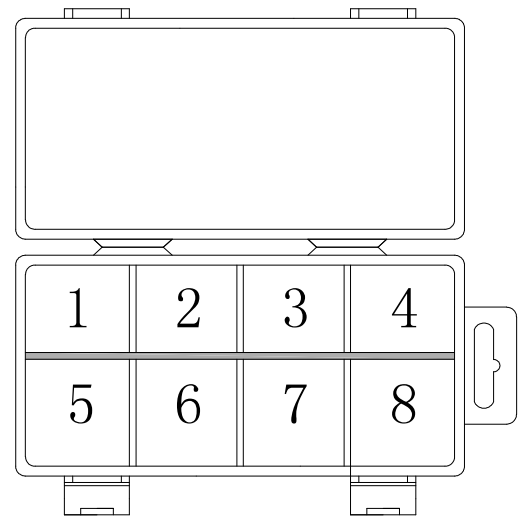
- 5mm standard 30° LED with 200±10mm wire
- UV resistant epoxy
- Red/Yellow/Yellow Green/Blue/Warm White/Cool White
- Color diffused/Water clear
- Resistors are used to limit current flow
- Single part clips for mounting

**■ Kit Contents**

Section	Contents	Pcs	P/N	Spec
1	5mm Pre-wired LED, Red,	10	OSR65134A-W20	Page 2
2	5mm Pre-wire LED, Yellow	10	OSY55134A-W20	
3	5mm Pre-wired LED, Blue	10	OSB55134A-W20	
4	5mm Pre-wired LED, Yellow Green	10	OSG85134A-W20	
5	5mm Pre-wired LED, Warm White	10	OSM55131A-W20	
6	5mm Pre-wired LED, Cool White	10	OSW55131A-W20	
7	5mm LED Mounting Clip	60		Page 3
8	220Ω Carbon Film Resistor, 0.25W±0.5%	10		Page 4
	470Ω Carbon Film Resistor, 0.25W±0.5%	10		
	680Ω Carbon Film Resistor, 0.25W±0.5%	10		
	1000Ω Carbon Film Resistor, 0.25W±0.5%	10		

**■ Product Picture**

160pcs/Box (Dimensions: 200\*135\*45mm)





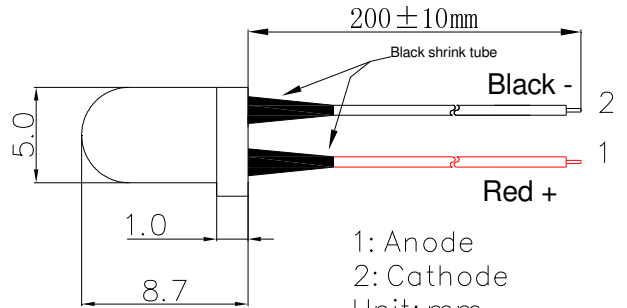
**■ Description**

- Wire length: 200±10mm
- 5mm round standard 30° directivity
- UV resistant epoxy
- Available in all colors

**■ Applications**

- General purpose indicators
- Small area illuminations
- Christmas light
- Backlighting

**■ Outline Dimension**



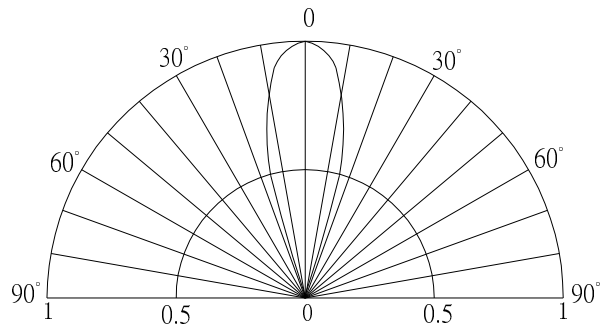
1: Anode  
2: Cathode  
Unit: mm  
Tolerance: ±0.20mm  
unless otherwise noted

**■ Absolute Maximum Rating (Ta=25°C)**

Item	Symbol	Value		Value
		B/M/W	R/Y/YG	
DC Forward Current	I <sub>F</sub>	30	30	mA
Pulse Forward Current#	I <sub>FP</sub>	100	100	mA
Reverse Voltage	V <sub>R</sub>	5	5	V
Power Dissipation	P <sub>D</sub>	102	72	mW
Operating Temperature	T <sub>opr</sub>	-30 ~ +85		°C
Storage Temperature	T <sub>stg</sub>	-40 ~ +100		°C
Lead Soldering Temperature	T <sub>sol</sub>	260°C/5sec		-

#Pulse width Max.10ms Duty ratio max 1/10

**■ Directivity**



**■ Electrical -Optical Characteristics (Ta=25°C)**

5mm Pre-wired LED	OSR65134A-W20	OSY55134A-W20	OSG85134A-W20	OSB55134A-W20	OSM55131A-W20	OSW55131A-W20
<b>LED P/N</b>	OSR65134A-W20	OSY55134A-W20	OSG85134A-W20	OSB55134A-W20	OSM55131A-W20	OSW55131A-W20
Light Color	Red	Yellow	Yellow Green	Blue	Warm White	Cool White
Lens Color	Red Diffused	Yellow Diffused	Green Diffused	Blue Diffused	Water Clear	Water Clear
Wavelength*1/Color Temperature*2	620-640nm	585-595nm	565-575nm	462.5-472.5nm	2700-3300K	8500-18000K
Luminous Intensity(typ.)*3	420mcd	420mcd	90mcd	2180mcd	19000mcd	19000mcd
Forward Voltage*4	1.8-2.4V	1.8-2.4V	1.8-2.4V	2.7-3.4V	2.7-3.4V	2.7-3.4V
Forward Current	20mA	20mA	20mA	20mA	20mA	20mA
Viewing Angle(typ.)	30°	30°	30°	30°	30°	30°
Wire length(mm)	200±10	200±10	200±10	200±10	200±10	200±10
Quantity(pcs)/Box	10	10	10	10	10	10

\*1 Tolerance of measurements of dominant wavelength is ±1nm

\*2 Tolerance of measurements of color temperature is ±10%

\*3 Tolerance of measurements of luminous intensity is ±15%

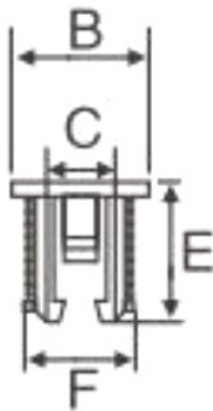
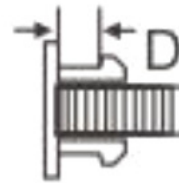
\*4 Tolerance of measurements of forward voltage is ±0.1V

Material	NYLON66
Color	Black
Fireproofing Grade	94V-2
Tolerance	±0.2mm

**Product Information & Outline Dimension:**

Item	A	B	C	D	E	F
3mm LED Mounting Clip	Φ4.5	Φ6.0	Φ3.1	1.4	6.0	Φ4.4
5mm LED Mounting Clip	Φ6.4	Φ7.8	Φ5.1	1.5	7.5	Φ6.0

Unit: mm



**Drilling machine plate**

■ Specifications

Power Rating	Maximum Working Voltage	Maximum Overload Voltage	Dimension (mm)					Resistance Range
			A	B	C	D	E	
1/4W	250V	500V	45±3	19.5±3	6.0±1	0.35±0.1	2.3±0.3	<b>0.1E-22M</b>

■ Color Coding

Color	1 <sup>st</sup> digit	2 <sup>nd</sup> digit	Multiplier	Tolerance
Black	0	0	1Ω	
Silver			0.01Ω	±10%
Golden			0.1Ω	±5%
Brown	1	1	10Ω	±1%
Red	2	2	100Ω	±2%
Orange	3	3	1KΩ	
Yellow	4	4	10KΩ	
Green	5	5	100KΩ	±0.5%
Blue	6	6	1MΩ	±0.25%
Violet	7	7	10MΩ	±0.1%
Gray	8	8		
White	9	9		

