

### ■Features

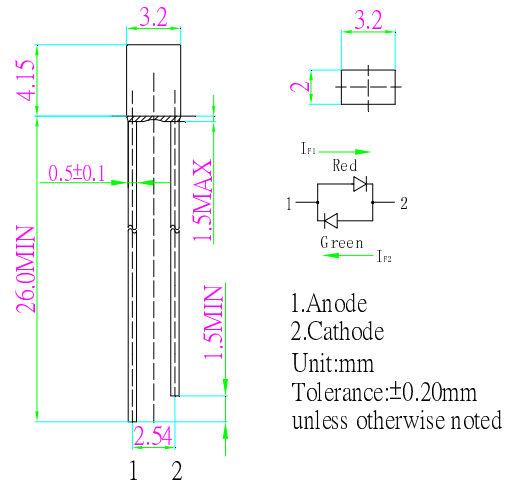
- High Luminous LEDs
- 3mm Round Standard Directivity
- Long Lifetime Operation
- UV Resistant Epoxy/ Water Clear Type

- Bi-polar LED

### ■Applications

- Toys
- Audio
- Games
- Other Lighting

### ■Outline Dimension



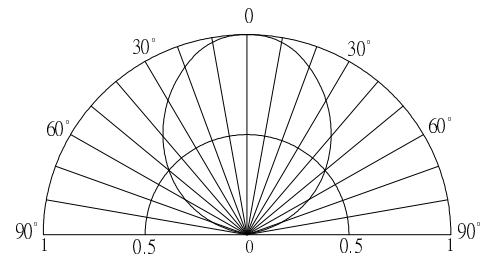
### ■Absolute Maximum Rating

(Ta=25°C)

| Item                       | Symbol           | Value      |     | Unit |
|----------------------------|------------------|------------|-----|------|
|                            |                  | RED        | PG  |      |
| DC Forward Current         | I <sub>F</sub>   | 50         | 30  | mA   |
| Pulse Forward Current#     | I <sub>FP</sub>  | 100        | 100 | mA   |
| Reverse Voltage            | V <sub>R</sub>   | 5          | 5   | V    |
| Power Dissipation          | P <sub>D</sub>   | 130        | 102 | mW   |
| Operating Temperature      | T <sub>opr</sub> | -30 ~ +85  |     | °C   |
| Storage Temperature        | T <sub>stg</sub> | -40~ +100  |     | °C   |
| Lead Soldering Temperature | T <sub>sol</sub> | 260°C/5sec |     | -    |

#Pulse width Max.10ms Duty ratio max 1/10

### ■Directivity



### ■Electrical -Optical Characteristics

(Ta=25°C)

| Item                | Color. | Symbol            | Condition             | Min. | Typ. | Max. | Unit |
|---------------------|--------|-------------------|-----------------------|------|------|------|------|
| DC Forward Voltage* | RED    | V <sub>F1</sub>   | I <sub>F1</sub> =20mA | 1.8  | 2.1  | 2.6  | V    |
|                     | PG     | V <sub>F2</sub>   | I <sub>F2</sub> =20mA | 2.7  | 3.0  | 3.4  | V    |
| Domi. Wavelength*   | RED    | λ <sub>D1</sub>   | I <sub>F1</sub> =20mA | 620  | 625  | 630  | nm   |
|                     | PG     | λ <sub>D2</sub>   | I <sub>F2</sub> =20mA | 520  | 525  | 530  | nm   |
| Luminous Intensity* | RED    | I <sub>V1</sub>   | I <sub>F1</sub> =20mA | 500  | 750  | -    | mcd  |
|                     | PG     | I <sub>V2</sub>   | I <sub>F2</sub> =20mA | 750  | 1120 | -    | mcd  |
| 50%Power Angle      | RED    | 2θ <sub>1/2</sub> | I <sub>F1</sub> =20mA | -    | 100  | -    | deg  |
|                     | PG     | 2θ <sub>1/2</sub> | I <sub>F2</sub> =20mA | -    | 100  | -    | deg  |

\*1 Tolerance of measurements of dominant wavelength is ±1nm

\*2 Tolerance of measurements of Luminous Intensity is ±15%

\*3 Tolerance of measurements of forward voltage is ±0.1