

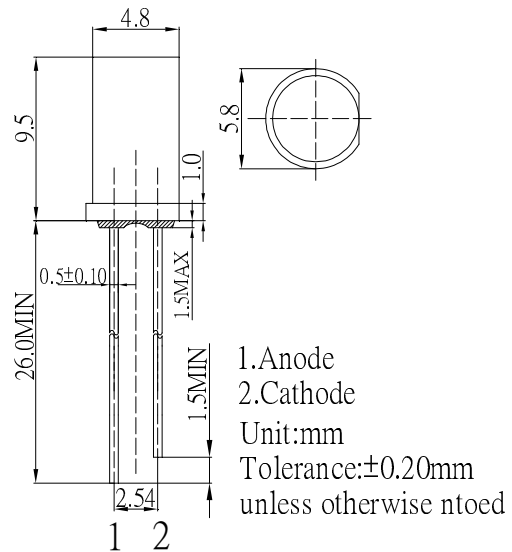
**■ Features**

- High Luminous LEDs
- 5mm Cylinder Standard Directivity
- Full Color Changing Type
- Water Clear Type

**■ Applications**

- Toys
- Games
- Audio
- Other Lighting

**■ Outline Dimension**

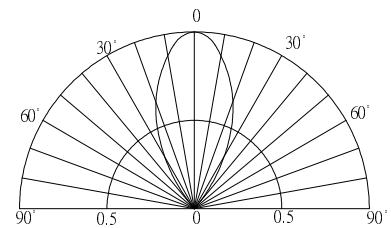


**■ Absolute Maximum Rating**

(Ta=25°C)

Item	Symbol	Value	Unit
Power Supply	Voltage	5.0	V
Operating Temperature	Topr	-30 ~ +85	°C
Storage Temperature	Tstg	-40 ~ +100	°C
Lead Soldering Temperature	Tsol	260°C/5sec	°C

**■ Directivity**



**■ Electrical -Optical Characteristics**

(Ta=25°C)

Item	Symbol	Condition	Min.	Typ.	Max.	Unit
DC Forward Voltage*	V <sub>dd</sub>	I <sub>F</sub> =20mA	3.8	4.5	5	V
Oscillator Frequency*	F <sub>led</sub>	I <sub>F</sub> =20mA	-	33	-	S
DC Reverse Current	I <sub>R</sub>	V <sub>R</sub> =5V	-	-	10	μA
Domi. Wavelength	λ <sub>D</sub> (Red)	I <sub>F</sub> =20mA	620	625	630	nm
	λ <sub>D</sub> (Blue)	I <sub>F</sub> =20mA	465	470	475	nm
	λ <sub>D</sub> (Green)	I <sub>F</sub> =20mA	520	525	530	nm
Luminous Intensity	I <sub>v</sub> (Red)	I <sub>F</sub> =20mA	-	4200	-	mcd
	I <sub>v</sub> (Blue)	I <sub>F</sub> =20mA	-	3000	-	mcd
	I <sub>v</sub> (Green)	I <sub>F</sub> =20mA	-	5800	-	mcd
50% Power Angle	2θ <sub>1/2</sub>	I <sub>F</sub> =20mA	-	50	-	deg

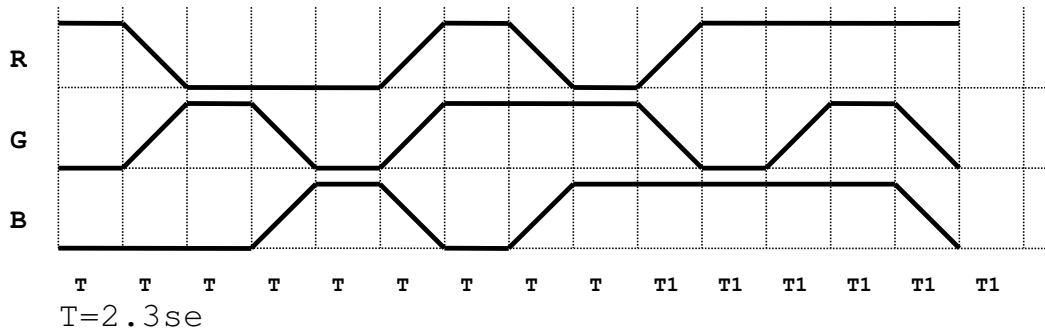
\*1 Tolerance of measurements of dominant wavelength is ±1nm

\*2 Tolerance of measurements of luminous intensity is ±15%

\*3 Tolerance of measurements of forward voltage is ±0.1V

\*4 Tolerance of measurements of Frequency is ±20%

Flashing Model



\*Tolerance of Blinking Cycle is  $\pm 20\%$