

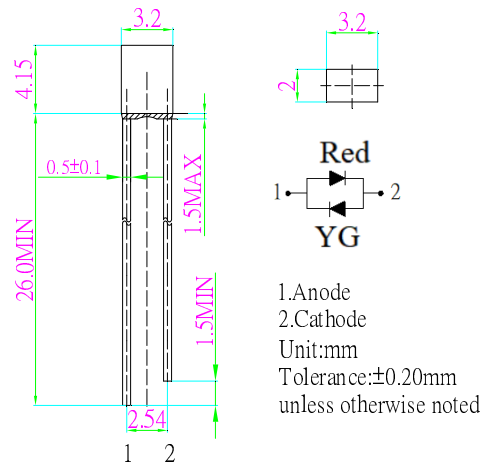
### ■Features

- High Luminous LEDs
- 2\*3\*4mm Rectangular Standard Directivity
- Long Lifetime Operation
- UV Resistant Epoxy
- Water Clear Type
- Bi-polar LED

### ■Applications

- Toys
- Audio
- Games
- Other Lighting

### ■Outline Dimension



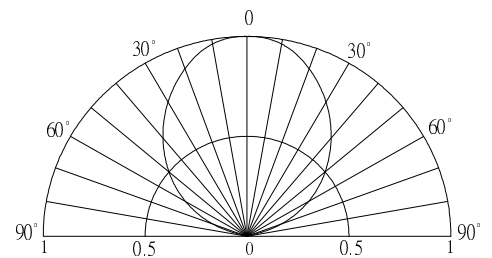
### ■Absolute Maximum Rating

(Ta=25°C)

Item	Symbol	Value		Unit
		RED	YG	
DC Forward Current	I <sub>F</sub>	30	30	mA
Pulse Forward Current#	I <sub>FP</sub>	100	100	mA
Reverse Voltage	V <sub>R</sub>	5	5	V
Power Dissipation	P <sub>D</sub>	78	78	mW
Operating Temperature	T <sub>opr</sub>	-30 ~ +85		°C
Storage Temperature	T <sub>stg</sub>	-40 ~ +100		°C
Lead Soldering Temperature	T <sub>sol</sub>	260°C/5sec		-

#Pulse width Max.10ms Duty ratio max 1/10

### ■Directivity



### ■Electrical -Optical Characteristics

(Ta=25°C)

Item	Color	Symbol	Condition	Min.	Typ.	Max.	Unit
DC Forward Voltage*1	RED	V <sub>F1</sub>	I <sub>F1</sub> =20mA	-	2.1	2.6	V
	YG	V <sub>F2</sub>	I <sub>F2</sub> =20mA	-	2.1	2.6	V
Domi. Wavelength*2	RED	λ <sub>D1</sub>	I <sub>F1</sub> =20mA	620	625	630	nm
	YG	λ <sub>D2</sub>	I <sub>F2</sub> =20mA	565	570	575	nm
Luminous Intensity*3	RED	I <sub>V1</sub>	I <sub>F1</sub> =20mA	100	150	-	mcd
	YG	I <sub>V2</sub>	I <sub>F2</sub> =20mA	68	100	-	mcd
50%Power Angle	RED	2θ <sub>1/2</sub>	I <sub>F1</sub> =20mA	-	100	-	deg
	YG	2θ <sub>1/2</sub>	I <sub>F2</sub> =20mA	-	100	-	deg

\*1 Tolerance of measurements of forward voltage is ±0.1

\*2 Tolerance of measurements of dominant wavelength is ±1nm

\*3 Tolerance of measurements of luminous intensity is ±15%

### LED & Application Technologies

