

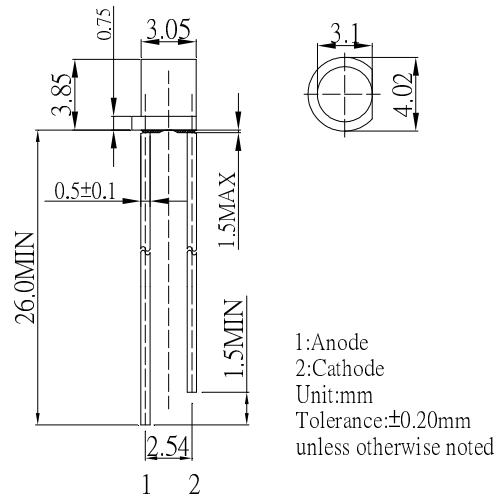
■ Features

- High Luminous LEDs
- 3mm Flat Top Standard Directivity
- Full Color Changing Type
- Water Clear Type

■ Applications

- Toys
- Games
- Audio
- Other Lighting

■ Outline Dimension

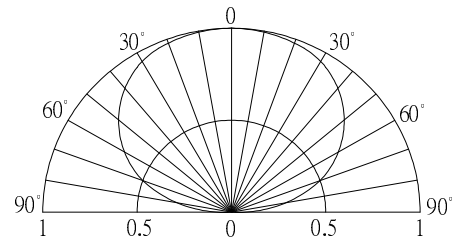


■ Absolute Maximum Rating

(Ta=25°C)

Item	Symbol	Value	Unit
Power Supply	Voltage	5.0	V
Operating Temperature	Topr	-30 ~ +85	°C
Storage Temperature	Tstg	-40 ~ +100	°C
Lead Soldering Temperature	Tsol	260°C/5sec	°C

■ Directivity



■ Electrical -Optical Characteristics

(Ta=25°C)

Item	Symbol	Condition	Min.	Typ.	Max.	Unit
DC Forward Voltage*	V _{dd}	I _F =20mA	3.8	4.5	5	V
Oscillator Frequency*	F _{led}	I _F =20mA	-	33	-	S
DC Reverse Current	I _R	V _R =5V	-	-	10	μA
Domi. Wavelength	λ _D (Red)	I _F =20mA	620	625	630	nm
	λ _D (Blue)	I _F =20mA	465	470	475	nm
	λ _D (Green)	I _F =20mA	520	525	530	nm
Luminous Intensity	I _v (Red)	I _F =20mA	-	1120	-	mcd
	I _v (Blue)	I _F =20mA	-	500	-	mcd
	I _v (Green)	I _F =20mA	-	2180	-	mcd
50% Power Angle	2θ _{1/2}	I _F =20mA	-	140	-	deg

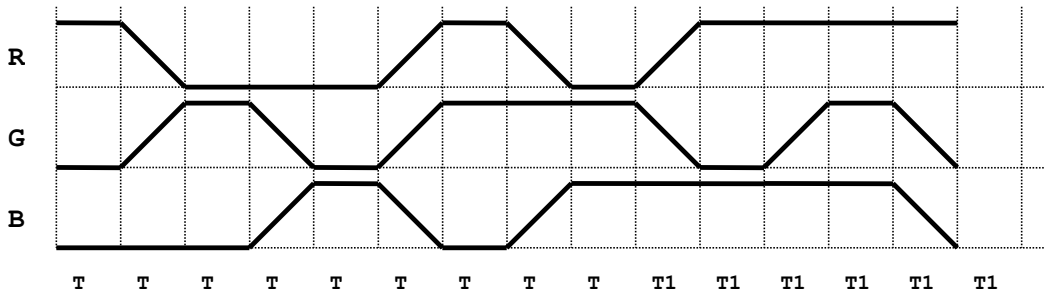
*1 Tolerance of measurements of dominant wavelength is ±1nm

*2 Tolerance of measurements of luminous intensity is ±15%

*3 Tolerance of measurements of forward voltage is ±0.1V

*4 Tolerance of measurements of Frequency is ±20%

Flashing Model



T=2.3se

*Tolerance of Blinking Cycle is $\pm 20\%$