

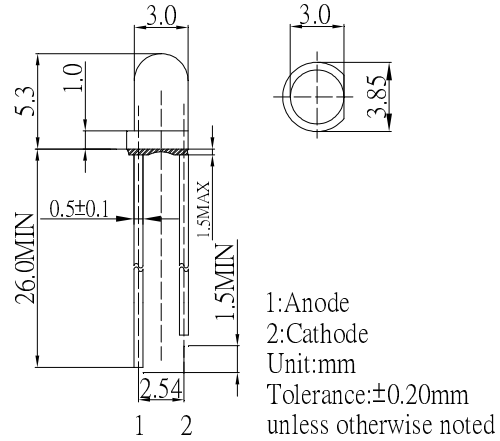
■ **Features**

- High Luminous LEDs
- 3mm Round Standard Directivity
- UV Resistant Epoxy
- 2.4Hz 1/12 Duty Cycle Flashing Type
- Water Clear Type

■ **Applications**

- Toys
- Games
- Audio
- Other Lighting

■ **Outline Dimension**

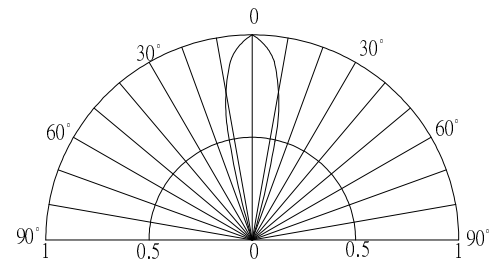


■ **Absolute Maximum Rating**

(Ta=25°C)

Item	Symbol	Value	Unit
Power Supply	Voltage	5	V
Duty Cycle	Duty	1/12	-
Operating Temperature	Topr	-30 ~ +85	°C
Storage Temperature	Tstg	-40~ +100	°C
Lead Soldering Temperature	Tsol	260°C/5sec	-

■ **Directivity**



■ **Electrical -Optical Characteristics** (Ta=25°C)

Part Number	Color		VF (V)*			Iv(mcd)*			λD(nm)*			Fled (Hz)*	2θ1/2(deg)
			Min.	Typ.	Max.	Min.	Typ.	Max.	Min.	Typ.	Max.	Typ.	Typ
			IF =20mA			IF =20mA							
OSW5DR3131A-2.4HZ	Cool White	W	3.0	3.5	5.0	5800	7000	-	CCT:8000-18000K			2.4	30
OSM5DR3131A-2.4HZ	Warm White	M	3.0	3.5	5.0	5800	7000	-	CCT:2700-3200K				
OSB5SR3131A-2.4HZ	Blue	B	3.0	3.5	5.0	1560	2180	-	465	470	475		
OSG5DR3131A-2.4HZ	Pure Green	G	3.0	3.5	5.0	5800	7000	-	520	525	530		
OSY5MR3131A-2.4HZ	Yellow	Y	3.0	3.5	5.0	4200	5800	-	585	590	595		
OS5OGR3131A-2.4HZ	Orange	O	3.0	3.5	5.0	10000	12000	-	600	605	610		
OSR5MR3131A-2.4HZ	Red	R	3.0	3.5	5.0	4200	5800	-	620	625	630		

*1 Tolerance of measurements of chromaticity coordinates is ±10%

*2 Tolerance of measurements of dominant wavelength is ±1nm

*3 Tolerance of measurements of luminous intensity is ±15%

*4 Tolerance of measurements of forward voltage is ±0.1V

*5 Tolerance of measurements of frequency is ±20%