

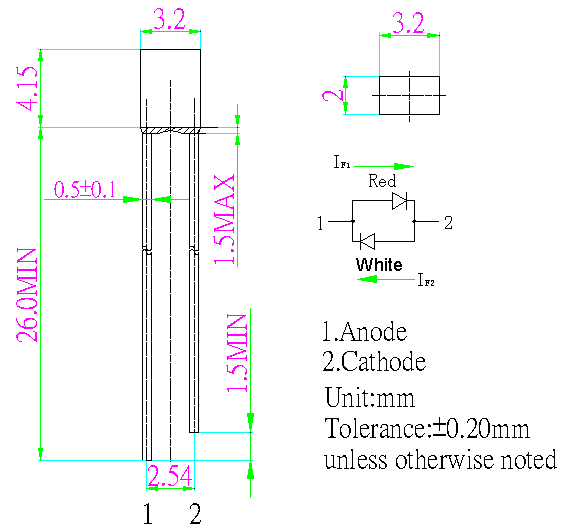
■Features

- High Luminous LEDs
- 2\*3\*4mm Rectangular Standard Directivity
- Long Lifetime Operation
- UV Resistant Epoxy
- Water Clear Type
- Bi-polar LED

■Applications

- Toys
- Audio
- Games
- Other Lighting

■Outline Dimension



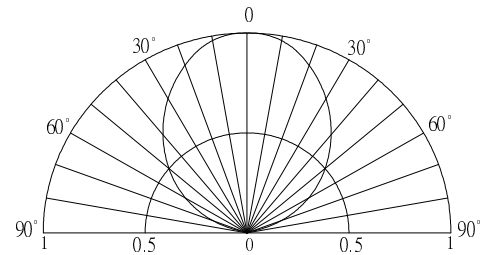
■Absolute Maximum Rating

(Ta=25°C)

Item	Symbol	Value		Unit
		Red	White	
DC Forward Current	I <sub>F</sub>	50	30	mA
Pulse Forward Current#	I <sub>FP</sub>	100	100	mA
Reverse Voltage	V <sub>R</sub>	5	5	V
Power Dissipation	P <sub>D</sub>	130	102	mW
Operating Temperature	T <sub>opr</sub>	-30 ~ +85		°C
Storage Temperature	T <sub>stg</sub>	-40~ +100		°C
Lead Soldering Temperature	T <sub>sol</sub>	260°C/5sec		-

#Pulse width Max.10ms Duty ratio max 1/10

■Directivity



■Electrical -Optical Characteristics

(Ta=25°C)

Item	Color.	Symbol	Condition	Min.	Typ.	Max.	Unit
DC Forward Voltage*	Red	V <sub>F1</sub>	I <sub>F1</sub> =20mA	1.8	2.1	2.6	V
	White	V <sub>F2</sub>	I <sub>F2</sub> =20mA	2.7	3.0	3.4	V
Domi. Wavelength*	Red	λ <sub>D1</sub>	I <sub>F1</sub> =20mA	620	625	630	nm
	White	CCT <sub>2</sub>	I <sub>F2</sub> =20mA	5500	6500	8500	K
Luminous Intensity*	Red	I <sub>v1</sub>	I <sub>F1</sub> =20mA	500	750	-	mcd
	White	I <sub>v2</sub>	I <sub>F2</sub> =20mA	500	750	-	mcd
50%Power Angle	Red	2θ <sub>1/2</sub>	I <sub>F1</sub> =20mA	-	100	-	deg
	White	2θ <sub>1/2</sub>	I <sub>F2</sub> =20mA	-	100	-	deg

\*1 Tolerance of measurements of color temperature ±10%

\*2 Tolerance of measurements of dominant wavelength is ±1nm

\*3 Tolerance of measurements of luminous intensity is ±15%

\*4 Tolerance of measurements of forward voltage is ±0.1V