

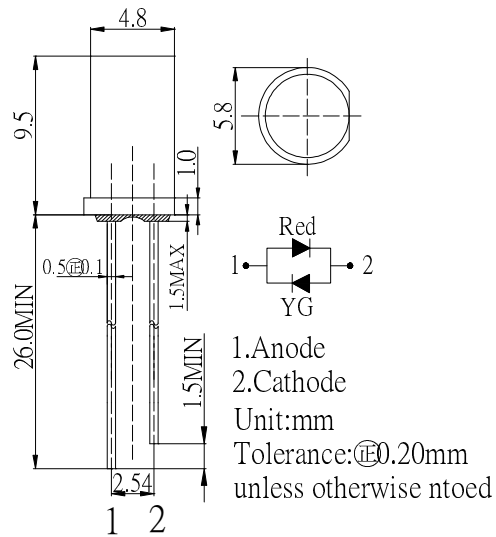
■Features

- High Luminous LEDs
- 5mm Flat Standard Directivity
- UV Resistant Epoxy
- White Diffused Type
- Bi-polar Type

■Applications

- Indicate Lamp
- Toys/Games/ Audio
- Other Lighting

■Outline Dimension



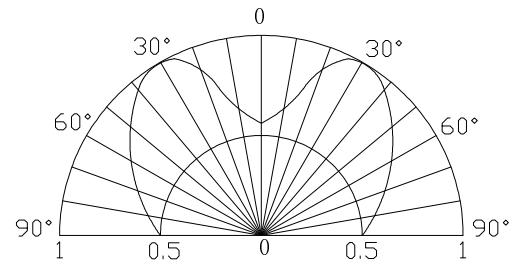
■Absolute Maximum Rating

(Ta=25°C)

Item	Symbol	Value		Unit
		Red	YG	
DC Forward Current	I _F	30	30	mA
Pulse Forward Current#	I _{FP}	100	100	mA
Reverse Voltage	V _R	5	5	V
Power Dissipation	P _D	78	78	mW
Operating Temperature	Topr	-30~ +85		°C
Storage Temperature	Tstg	-40 ~ +100		°C
Lead Soldering Temperature	Tsol	260°C/5sec		-

#Pulse width Max.10ms Duty ratio max 1/10

■Directivity



■Electrical -Optical Characteristics

(Ta=25°C)

Item	Symbol	Condition	Min.	Typ.	Max.	Unit
DC Forward Voltage*1	V _F (R/YG)	I _F =20mA	1.8	2.1	2.6	V
DC Reverse Current	I _R	V _R =5V	-	-	10	μA
Domi. Wavelength*2	λ _D (Red)	I _F =20mA	620	625	630	nm
	λ _D (YG)	I _F =20mA	565	570	575	nm
Luminous Intensity*3	I _v (Red)	I _F =20mA	45	68	-	mcd
	I _v (YG)	I _F =20mA	20	30	-	mcd
50% Power Angle	2θ _{1/2}	I _F =20mA	-	180	-	deg

*1 Tolerance of measurements of forward voltage is ± 0.1 V

*2 Tolerance of measurements of dominant wavelength is ± 1 nm

*3 Tolerance of measurements of luminous intensity is ± 15 %