

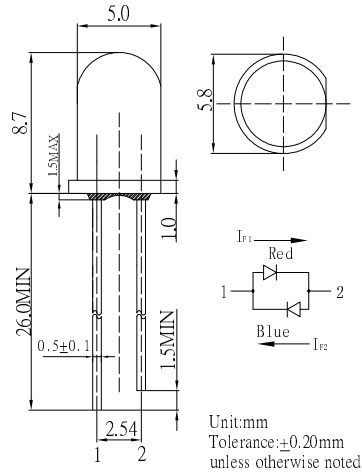
■Features

- High Luminous LEDs
- 5mm Round Standard Directivity
- Long Lifetime Operation
- UV Resistant Epoxy/ Water Clear Type

■Applications

- Toys
- Audio
- Games
- Other Lighting

■Outline Dimension



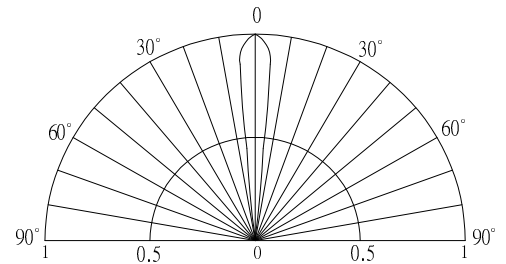
■Absolute Maximum Rating

($T_a=25^\circ\text{C}$)

Item	Symbol	Value		Unit
		RED	BL	
DC Forward Current	I_F	50	30	mA
Pulse Forward Current#	I_{FP}	100	100	mA
Reverse Voltage	V_R	5	5	V
Power Dissipation	P_D	130	102	mW
Operating Temperature	T_{opr}	-30 ~ +85		$^\circ\text{C}$
Storage Temperature	T_{stg}	-40~ +100		$^\circ\text{C}$
Lead Soldering Temperature	T_{sol}	260 $^\circ\text{C}$ /5sec		-

#Pulse width Max.10ms Duty ratio max 1/10

■Directivity



■Electrical -Optical Characteristics

($T_a=25^\circ\text{C}$)

Item	Color.	Symbol	Condition	Min.	Typ.	Max.	Unit
DC Forward Voltage*	RED	V_{F1}	$I_{F1}=20\text{mA}$	1.8	2.1	2.6	V
	BL	V_{F2}	$I_{F2}=20\text{mA}$	2.7	3.0	3.4	V
Domi. Wavelength*	RED	λ_{D1}	$I_{F1}=20\text{mA}$	620	625	630	nm
	BL	λ_{D2}	$I_{F2}=20\text{mA}$	465	470	475	nm
Luminous Intensity*	RED	I_{V1}	$I_{F1}=20\text{mA}$	12000	14400	-	mcd
	BL	I_{V2}	$I_{F2}=20\text{mA}$	5800	7000	-	mcd
50%Power Angle	RED	$2\theta_{1/2}$	$I_{F1}=20\text{mA}$	-	15	-	deg
	BL	$2\theta_{1/2}$	$I_{F2}=20\text{mA}$	-	15	-	deg

*1 Tolerance of measurements of dominant wavelength is $\pm 1\text{nm}$

*2 Tolerance of measurements of luminous intensity is $\pm 15\%$

*3 Tolerance of measurements of forward voltage is $\pm 0.1\text{V}$