

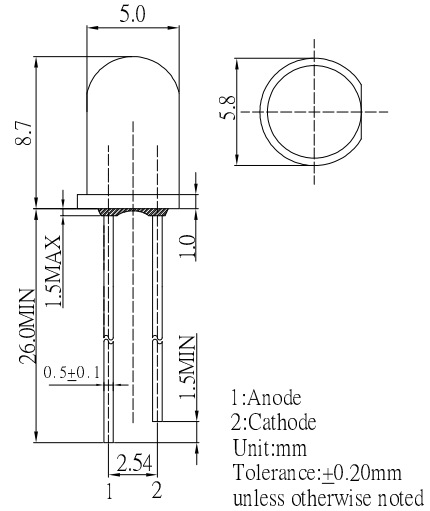
**■ Features**

- High Luminous LEDs
- 5mm Round Standard Directivity
- Candle Flashing Type
- Water Clear Type

**■ Applications**

- Toys
- Games
- Audio
- Other Lighting

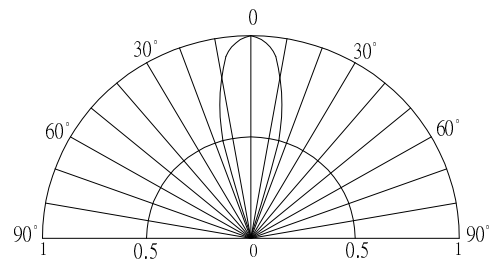
**■ Outline Dimension**



**■ Absolute Maximum Rating (Ta=25°C)**

Item	Symbol	Value	Unit
Power Supply	Voltage	5.0	V
Operating Temperature	Topr	-30 ~ +85	°C
Storage Temperature	Tstg	-40 ~ +100	°C
Lead Soldering Temperature	Tsol	260°C/5sec	-

**■ Directivity**



**■ Electrical -Optical Characteristics (Ta=25°C)**

Item	Symbol	Conditio	Min.	Typ.	Max.	Unit
DC Forward Voltage	V <sub>dd</sub>	I <sub>f</sub> =20mA	2.5	3.3	5.0	V
Domi. Wavelength*	λ <sub>D</sub> (Yellow)	I <sub>f</sub> =20mA	585	590	595	nm
Luminous Intensity*	I <sub>v</sub> (Yellow)	I <sub>f</sub> =20mA	4500	5800	-	mcd
50% Power Angle	2θ <sub>1/2</sub>	I <sub>f</sub> =20mA	-	30	-	deg

\*\*1 Tolerance of measurements of dominant wavelength is ±1nm

\*2 Tolerance of measurements of luminous intensity is ±15%

\*3 Tolerance of measurements of frequency is +20%

\*4 Tolerance of measurements of forward voltage is +0.1V