

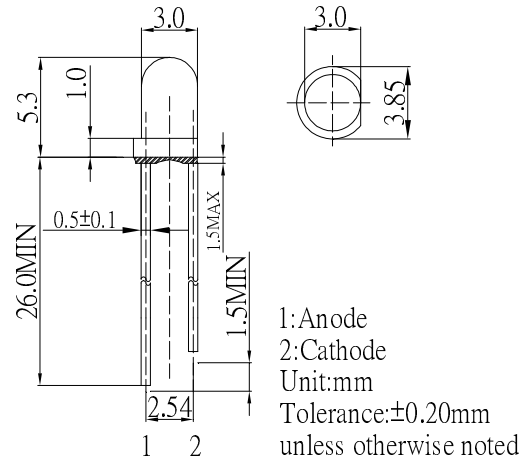
■Features

- High Radiant Power LEDs
- 3mm Standard Directivity
- UV Resistant Epoxy
- Long Lifetime Operation
- Water Clear Type

■Applications

- IrDA
- Encoder
- Data Communication

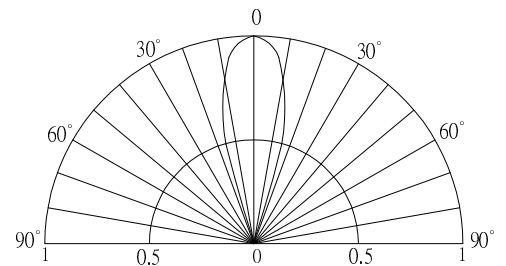
■Outline Dimension



■Absolute Maximum Rating (Ta=25°C)

Item	Symbol	Value	Unit
DC Forward Current	I _F	100	mA
Pulse Forward Current#	I _{FP}	1000	mA
Reverse Voltage	V _R	5	V
Power Dissipation	P _D	180	mW
Operating Temperature	T _{opr}	-30 ~ +85	°C
Storage Temperature	T _{stg}	-40 ~ +100	°C
Lead Soldering Temperature	T _{sol}	260°C /5sec	-

■Directivity



#Pulse width Max.10ms Duty ratio max 1/10

■Electrical -Optical Characteristics (Ta=25°C)

Item	Symbol	Condition	Min.	Typ.	Max.	Unit
DC Forward Voltage	V _F	I _F =100mA	-	1.6	1.8	V
DC Reverse Current	I _R	V _R =5V	-	-	10	μA
Peak Wavelength	λ _p	I _F =100mA	-	940	-	nm
Radiant Power	P _O	I _F =100mA	20	26	-	mW
Radiant Intensity	I _e	I _F =100mA	30	40	-	mW/Sr
50% Power Angle	2θ _{1/2}	I _F =100mA	-	30	-	deg

*1 Tolerance of measurements of Peak wavelength is ±1nm

*2 Tolerance of measurements of Radiant Intensity is ±15%

*3 Tolerance of measurements of forward voltage is ±0.1V