

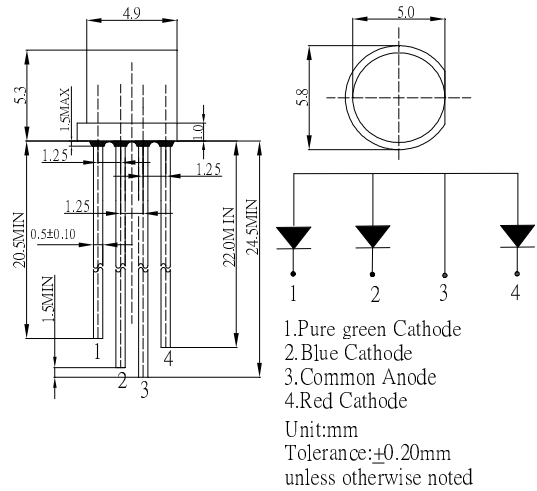
■Features

- High Luminous LEDs
- 5mm Flat Standard Directivity
- Water Clear Type
- Common Anode Type

■Applications

- Toys
- Games
- Audio
- Other Lighting

■Outline Dimension

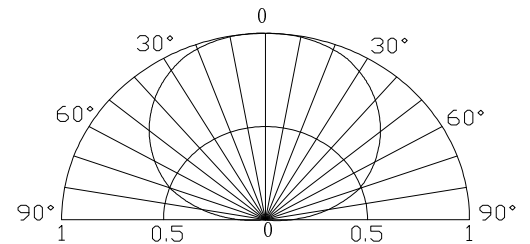


■Absolute Maximum Rating (Ta=25°C)

| Item | Symbol | Value | | Unit |
|----------------------------|------------------|-------------|------------|------|
| | | Red | Blue/Green | |
| DC Forward Current | I _F | 30 | 30 | mA |
| Pulse Forward Current# | I _{FP} | 100 | 100 | mA |
| Reverse Voltage | V _R | 5 | 5 | V |
| Power Dissipation | P _D | 78 | 108 | mW |
| Operating Temperature | T _{opr} | -30 ~ +85 | | °C |
| Storage Temperature | T _{stg} | -40 ~ +100 | | °C |
| Lead Soldering Temperature | T _{sol} | 260 °C/5sec | | - |

#Pulse width Max.10ms Duty ratio max 1/10

■Directivity



■Electrical -Optical Characteristics (Ta=25°C)

| Item | Symbol | Condition | Min. | Typ. | Max. | Unit |
|----------------------|------------------------|----------------------|------|------|------|------|
| DC Forward Voltage*1 | V _F (R) | I _F =20mA | 1.8 | 2.0 | 2.6 | V |
| | V _F (B/G) | I _F =20mA | 2.9 | 3.1 | 3.6 | V |
| DC Reverse Current | I _R | V _R =5V | - | - | 10 | μA |
| Domi. Wavelength*2 | λ _D (Red) | I _F =20mA | 620 | 625 | 630 | nm |
| | λ _D (Blue) | I _F =20mA | 465 | 470 | 475 | nm |
| | λ _D (Green) | I _F =20mA | 520 | 525 | 530 | nm |
| Luminous Intensity*3 | I _v (Red) | I _F =20mA | 750 | 1120 | - | mcd |
| | I _v (Blue) | I _F =20mA | 500 | 750 | - | mcd |
| | I _v (Green) | I _F =20mA | 1120 | 1560 | - | mcd |
| 50% Power Angle | 2θ _{1/2} | I _F =20mA | - | 140 | - | deg |

*1 Tolerance of measurements of forward voltage is ±0.1V

*2 Tolerance of measurements of dominant wavelength is ±1nm

*3 Tolerance of measurements of luminous intensity is ±15%