

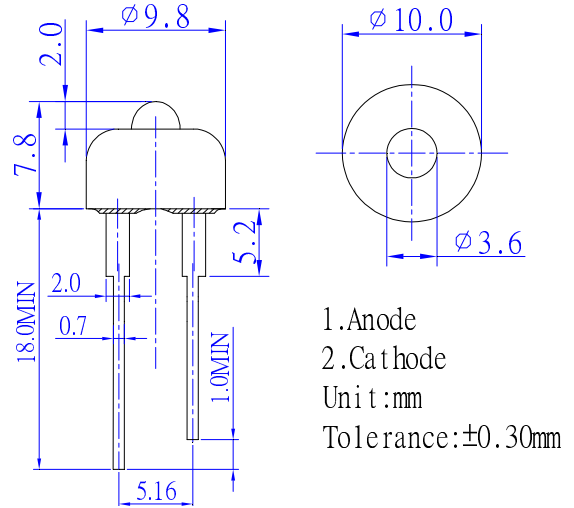
■ Features

- High Lumen Output LEDs
- 10mm Round Standard Directivity
- UV Resistant Epoxy
- Narrow Viewing Angle

■ Applications

- Signage and channel letter
- Decorating and entertainment lighting
- Architectural lighting
- Outdoor/Indoor applications/Other Lighting

■ Outline Dimension

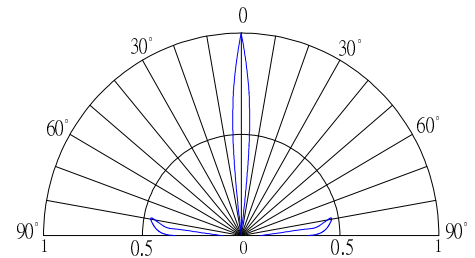


■ Absolute Maximum Rating

(Ta=25°C)





Item	Symbol	Value		Unit
		B/PG	Y/R	
DC Forward Current	I _F	150	150	mA
Pulse Forward Current#	I _{FP}	200	200	mA
Reverse Voltage	V _R	5	5	V
Power Dissipation	P _D	540	390	mW
Operating Temperature	Topr	-30 ~ +85		°C
Storage Temperature	Tstg	-30 ~ +85		°C
Lead Soldering Temperature	Tsol	260°C/5sec		-

■ Directivity



#Pulse width Max.10ms , Duty ratio max 1/10

■ Electrical -Optical Characteristics (Ta=25°C)

Part Number	Color			V _F (V)*			I _v (mcd)*			λD(nm)*			2θ1/2(deg)
				Min.	Type.	Max.	Min.	Typ.	Max.	Min.	Typ.	Max.	Typ.
				I _F =120mA			I _F =120mA						
OSB5XAAC11U	Blue	B		3.0	3.3	3.6	60000	70000	-	465	470	475	12
OSG5XAAC11U	Pure Green	PG		2.8	3.3	3.6	150000	200000	-	520	525	530	12
OSY5XAAC11U	Yellow	Y		2.0	2.3	2.6	90000	120000	-	585	590	595	12
OSR5XAAC11U	Red	R		2.0	2.3	2.6	90000	120000	-	620	625	630	12

*1 Tolerance of measurements of dominant wavelength is ±1nm

*2 Tolerance of measurements of luminous intensity is ±15%

*3 Tolerance of measurements of forward voltage is±0.1V