

CURRENT REGULATIVE LED

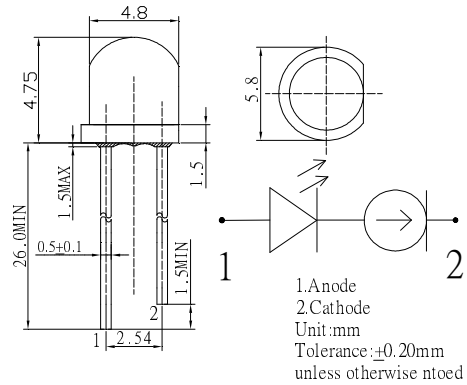
■ Outline Dimension

CRLED

- CRLED is LED which supplies constant current to keep LED Intensity Consistency even when power supply voltage fluctuations or load impedance fluctuations occur.
- CRLED is used with current stabilization and current limiting

■ Features

- High Luminous LEDs / 4.8mm Straw Standard Directivity
- Superior Weather-resistance / UV Resistant Epoxy
- Water Clear Type

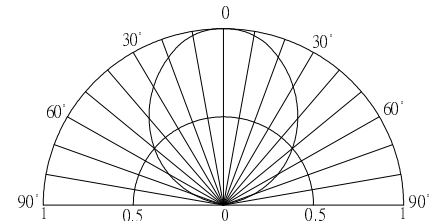


■ Absolute Maximum Rating

(Ta=25°C)

Item	Symbol	Value	Unit
DC Forward Voltage	V _F	20	V
Power Dissipation	P _D	320	mW
Operating Temperature	Topr	-30 ~ +85	°C
Storage Temperature	Tstg	-40 ~ +100	°C
Lead Soldering Temperature	Tsol	260°C/5sec	-

■ Directivity



■ Electrical -Optical Characteristics

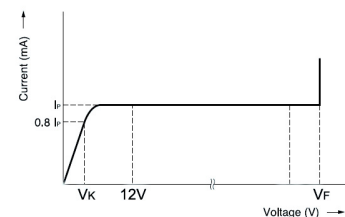
(Ta=25°C)

Part Number	Color	V _F (V)		I _F (mA)			I _R (μA)	I _v (mcd)*			λD(nm)*			2θ1/2(deg)
		Min	Max	Min	Typ.	Max.	Max..	Min.	Typ.	Max.	Min.	Typ.	Max.	Typ.
				V _F =12V			V _R =8V	V _F =12V						
OSW5DK56A1A-CRLED14	White	5.5	20	-	14	-	10	-	1700	-	X=0.27, Y=0.28			100
OSM5DK56A1A-CRLED14	Warm White	5.5	20	-	14	-	10	-	1500	-	X=0.45, Y=0.41			100
OSB64L56A1A-CRLED14	Ice Blue	5.5	20	-	14	-	10	-	1700	-	X=0.19, Y=0.29			100
OSB5SA56A1A-CRLED14	Blue	5.5	20	-	14	-	10	-	600	-	465	470	475	100
OSG5DA56A1A-CRLED14	Pure Green	5.5	20	-	14	-	10	-	2300	-	520	525	530	100
OSY5JA56A1A-CRLED14	Yellow	5	20	-	14	-	10	-	450	-	585	590	595	100
OSY5MA56A1A-CRLED14	Yellow	5	20	-	14	-	10	-	850	-	585	590	595	100
OSO5JA56A1A-CRLED14	Orange	5	20	-	14	-	10	-	450	-	600	605	610	100
OSR5JA56A1A-CRLED14	Red	5	20	-	14	-	10	-	450	-	620	625	630	100
OSR5MA56A1A-CRLED14	Red	5	20	-	14	-	10	-	850	-	620	625	630	100

- *1 Tolerance of measurements of chromaticity coordinate is ±10%
- *2 Tolerance of measurements of dominant wavelength is ±1nm
- *3 Tolerance of measurements of luminous intensity is ±15%
- *4 Tolerance of measurements of forward voltage is ±0.1V

■ Applications

- Electronic Signs And Signals/ Small Area Illuminations
- Back Lighting/ Toys/ Other Lighting

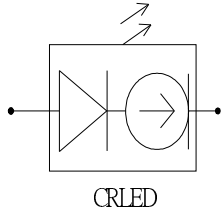


Explanation of terms
I_F: Pinch-off current at 12V
V_K: Voltage which produces 0.8I_F or greater current
V_F: Breakdown voltage

Current Regulative LED
4.8mm Straw LED
OSXXXX56A1A-CRLED14

■ **Typical Applications**

1: Single LED



2: Multi- LEDs in series

