

<b>0.56 Inch Four Digit Display</b>
<b>OSL40565-IX (Common Anode type)</b>
<b>OSL40565-LX (Common Cathode type)</b>

■ **Features**

- 0.56 Inch Four Digit Display
- Long lifetime operation
- IC compatible
- Low power dissipation
- Black surface & white segment or dot

■ **Applications**

- Counting device
- Clock

■ **Absolute Maximum Rating** (Ta=25°C)

Item	Symbol	Value		Unit
		RA/R/YG/Y	B/G/W	
DC Forward Current	I <sub>F</sub>	20	20	mA
Pulse Forward Current*	I <sub>FP</sub>	100	100	mA
Reverse Voltage	V <sub>R</sub>	5	5	V
Power Dissipation	P <sub>t</sub>	44	66	mW
Operating Temperature	Topr	-30 ~ +70		°C
Storage Temperature	Tstg	-40~ +85		°C
Lead Soldering Temperature(1.6mm from seating plane)	Tsol	260°C/5sec		°C

\*Pulse width Max.10ms Duty ratio max 1/10

■ **Electrical -Optical Characteristics** (Ta=25°C)

Part Number	Color		V <sub>F</sub> (V)			I <sub>R</sub> (μA)	I <sub>v</sub> (mcd)			λD(nm)		
			Min.	Typ.	Max.	Max.	Min.	Typ.	Max.	Min.	Typ.	Max.
			I <sub>F</sub> =20mA			V <sub>R</sub> =5V	I <sub>F</sub> =20mA					
OSL40565-IW(LW)	White	W	-	3.1	3.6	20	-	65	-	X=0.27,Y=0.28		
OSL40565-IB(LB)	Blue	B	■	3.1	3.6	20	-	50	-	460	470	475
OSL40565-IG(LG)	Pure Green	G	■	3.1	3.6	20	-	200	-	515	525	530
OSL40565-IYG(LYG)	Yellow Green	YG	■	2.2	2.6	20	-	12	-	565	571	575
OSL40565-IY(LY)	Yellow	Y	■	2.1	2.5	20	-	60	-	585	590	595
OSL40565-IR(LR)	Red	R	■	2.1	2.5	20	-	20	-	625	630	640
OSL40565-IRA(LRA)	High Luminance Red	RA	■	2.1	2.5	20	-	100	-	620	625	630

\*1 Tolerance of measurements of chromaticity coordinate is±10%

\*2 Tolerance of measurements of dominant wavelength is±1nm

\*3 Tolerance of measurements of luminous intensity is±15%

\*4 Tolerance of measurements of forward voltage is±0.1V

**Package Dimensions and Pin Function**

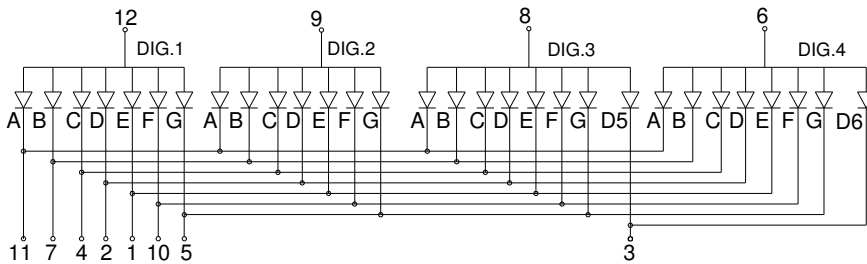
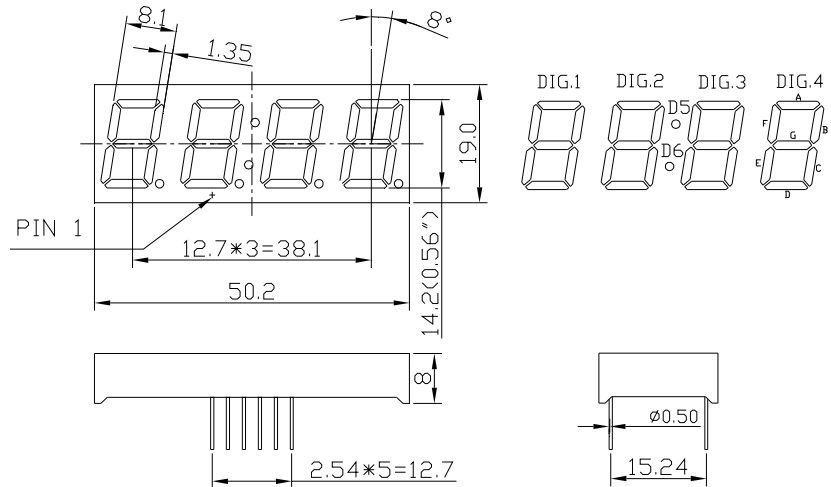
**OSL40565-IX**

**(Common Anode type)**

Note:

1, Unit : mm (Tolerance:  $\pm 0.25$ mm unless otherwise noted)

2, The slope angle of any PIN may be  $\pm 5.0^\circ$  Max



**OSL40565-LX**

**(Common Cathode type)**

Note:

1, Unit : mm (Tolerance:  $\pm 0.25$ mm unless otherwise noted)

2, The slope angle of any PIN may be  $\pm 5.0^\circ$  Max

