

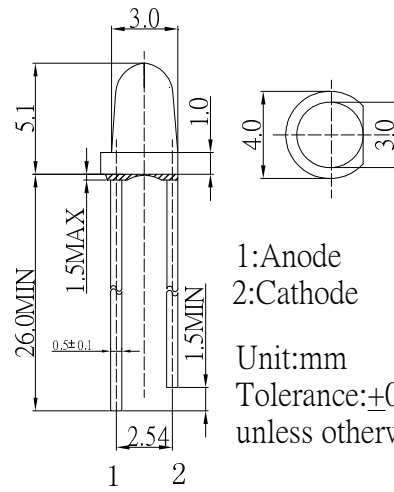
■ Features

- High Luminous LEDs
- 3mm Bullet Standard Directivity
- UV Resistant Epoxy
- Water Clear Type

■ Applications

- Advertising Board
- Horticulture Application
- Traffic Light / Signal Light
- Beauty product
- Other Lighting

■ Outline Dimension



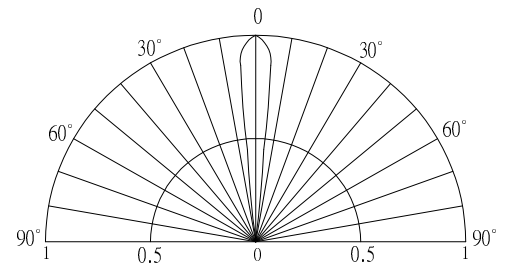
■ Absolute Maximum Rating

($T_a=25^\circ\text{C}$)

Item	Symbol	Value	Unit
DC Forward Current	I_F	30	mA
Pulse Forward Current*	I_{FP}	100	mA
Reverse Voltage	V_R	5	V
Power Dissipation	P_D	102	mW
Operating Temperature	T_{opr}	-30 ~ +85	$^\circ\text{C}$
Storage Temperature	T_{stg}	-40 ~ +100	$^\circ\text{C}$
Lead Soldering Temperature	T_{sol}	260 $^\circ\text{C}$ /5sec	-

*Pulse width Max.10ms Duty ratio max 1/10

■ Directivity



■ Electrical -Optical Characteristics

($T_a=25^\circ\text{C}$)

Item	Symbol	Condition	Min.	Typ.	Max.	Unit
DC Forward Voltage	V_F	$I_F=30\text{mA}$	2.7	2.9	3.4	V
DC Reverse Current	I_R	$V_R=5\text{V}$	-	-	10	μA
Luminous Flux	Φ_v	$I_F=30\text{mA}$	8.5	10	-	lm
Luminous Intensity*	I_v	$I_F=30\text{mA}$	18	22	-	cd
Color Temperature	CCT	$I_F=30\text{mA}$	-	6500	-	K
Chromaticity Coordinates*	x	$I_F=30\text{mA}$	-	0.31	-	
	y	$I_F=30\text{mA}$	-	0.33	-	
50% Power Angle	$2\theta_{1/2}$	$I_F=30\text{mA}$	-	15	-	deg

*1 Tolerance of measurements of chromaticity coordinates is $\pm 10\%$

*2 Tolerance of measurements of luminous intensity is $\pm 15\%$

*3 Tolerance of measurements of forward voltage is $\pm 0.1\text{V}$