

■Features

- High Luminous Super Flux Output
- 5 ϕ Standard Directivity
- Long Lifetime Operation
- Low Thermal Resistance
- UV Resistant Epoxy
- Water Clear Type

■Applications

- Automotive tail, stop, turn signal lamps and interior lighting
- Signage and channel letter
- Decoration and entertainment lighting
- Architectural lighting
- Other Lighting

■Absolute Maximum Rating

(Ta=25°C)

Item	Symbol	Value	Unit
DC Forward Current	I _F	150	mA
Pulse Forward Current*	I _{FP}	200	mA
Reverse Voltage	V _R	5	V
Power Dissipation	P _D	570	mW
Operating Temperature	T _{opr}	-30 ~ +85	°C
Storage Temperature	T _{stg}	-40 ~ +100	°C
Lead Soldering Temperature	T _{sol}	260°C/5sec	-

*Pulse width Max.10ms Duty ratio max 1/10

■Electrical -Optical Characteristics

(Ta=25°C)

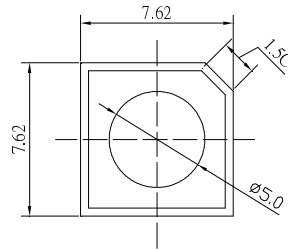
Item	Symbol	Condition	Min.	Typ.	Max.	Unit
DC Forward Voltage	V _F	I _F =150mA	2.9	3.2	3.8	V
DC Reverse Current	I _R	V _R =5V	-	-	10	μA
Color Temperature	CCT	I _F =150mA	-	3000	-	K
Chromaticity Coordinates*	x	I _F =150mA	-	0.45	-	-
	y	I _F =150mA	-	0.41	-	-
Luminous Flux*	Φ _v	I _F =150mA	25	30	-	lm
50% Power Angle	2θ _{1/2}	I _F =150mA	-	80	-	deg

*1 Tolerance of measurements of chromaticity coordinate is +10%

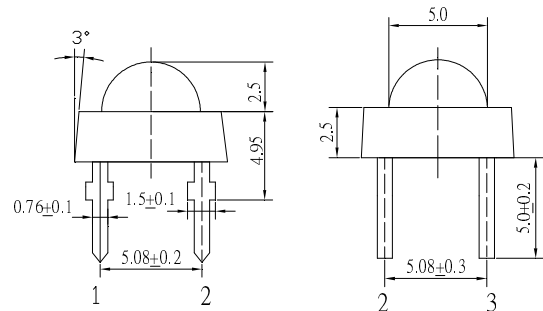
*2 Tolerance of measurements of luminous intensity is +15%

*3 Tolerance of measurements of forward voltage is ±0.1V

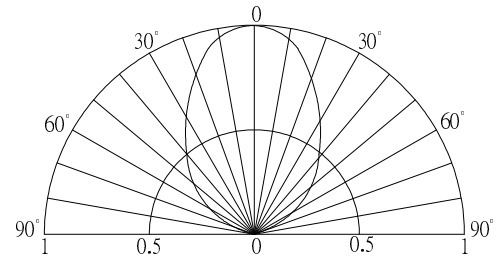
■Outline Dimension



Unit:mm
Tolerance:±0.3mm
1,4 Anode
2,3 Cathode



■Directivity



■Maximum Forward Current

