

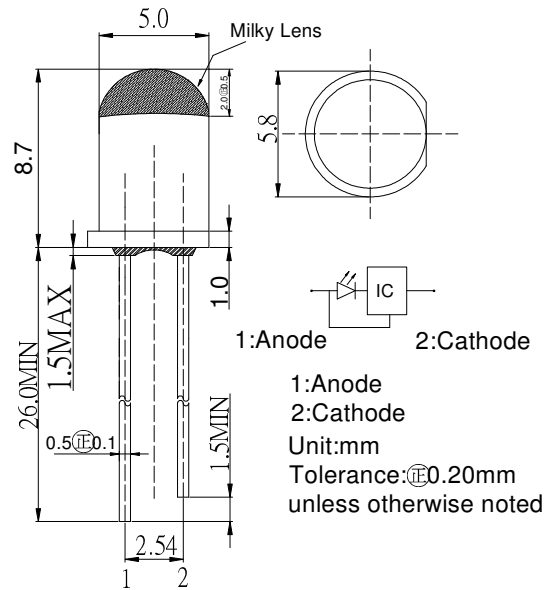
■Features

- High Luminous LEDs
- 5mm Round Standard Directivity
- Flashing Type
- UV Resistant Epoxy
- Water Clear Body with Milky Lens

■Applications

- Electronic Signs And Signals
- Small Area Illuminations
- Back Lighting
- Other Lighting

■Outline Dimension



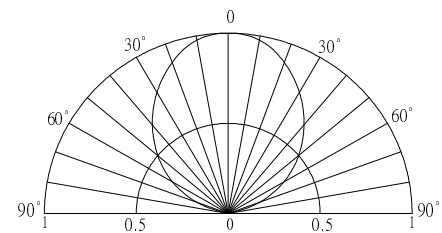
■Absolute Maximum Rating

(Ta=25°C)

Item	Symbol	Value	Unit
Power Supply	Voltage	5	V
Duty Cycle	Duty	1/2	-
Operating Temperature	Topr	-30 ~ +85	°C
Storage Temperature	Tstg	-40~ +100	°C
Lead Soldering Temperature	Tsol	260°C/5sec	-

*Pulse width Max 0.1ms, Duty ratio max 1/10

■Directivity



■Electrical -Optical Characteristics

(Ta=25°C)

Part Number	Color			VF (V)			Iv(mcd)*			λD(nm)*			Fled (Hz)*	2θ1/2(deg)
				Min.	Typ.	Max.	Min.	Typ.	Max.	Min.	Typ.	Max.	Typ.	Typ
				If =20mA			If =20mA			If =20mA				
OSW5DS51A5A	Cool White	W		3.0	3.5	5.0	4200	5800	-	8500-18000K(X:0.27,Y:0.28)			1.8	100
OSB5SS51A5A	Blue	B	■	3.0	3.5	5.0	1560	2180	-	465	470	475		
OSG5DS51A5A	Pure Green	G	■	3.0	3.5	5.0	2180	3000	-	520	525	530		
OSY5MS51A5A	Yellow	Y	■	3.0	3.5	5.0	2180	3000	-	585	590	595		
OSR5MS51A5A	Red	R	■	3.0	3.5	5.0	2180	3000	-	620	625	630		

*1 Tolerance of measurements of chromaticity coordinates is ±10%

*2 Tolerance of measurements of dominant wavelength is ±1nm

*3 Tolerance of measurements of luminous intensity is ±15%

*4 Tolerance of measurements of forward voltage is ±0.1V

*5 Tolerance of measurements of Frequency is ±20%