

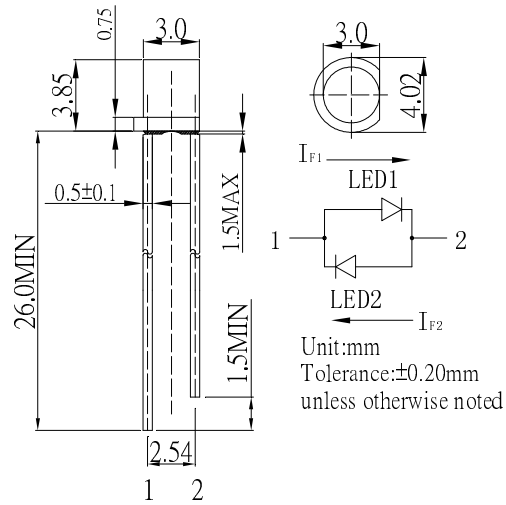
**■ Features**

- High Luminous LEDs
- 3mm Flat Standard Directivity
- UV Resistant Epoxy
- Water Clear Type
- AC LED

**■ Applications**

- Electronic Signs And Signals
- Small Area Illuminations
- Back Lighting
- Other Lighting

**■ Outline Dimension**

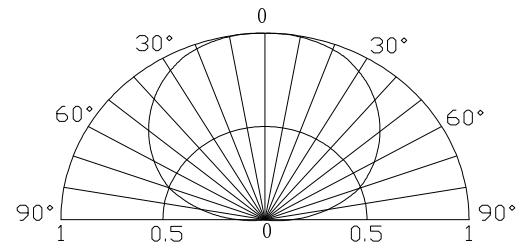


**■ Absolute Maximum Rating (Ta=25°C)**

(Ta=25°C)

Item	Symbol	Value		Unit
		W/M/B/PG	YG/Y/O/R	
DC Forward Current	I <sub>F</sub>	30	30	mA
Pulse Forward Current*	I <sub>FP</sub>	100	100	mA
Reverse Voltage	V <sub>R</sub>	5	5	V
Power Dissipation	P <sub>D</sub>	102	78	mW
Operating Temperature	T <sub>opr</sub>	-30 ~ +85		°C
Storage Temperature	T <sub>stg</sub>	-40 ~ +100		°C
Lead Soldering Temperature	T <sub>sol</sub>	260°C/5sec		-

**■ Directivity**



\*Pulse width Max.10ms Duty ratio max 1/10

Part Number	Color		V <sub>F</sub> (V)			I <sub>v</sub> (mcd)			λD(nm)/CCT(K)			θ1/2(deg)
			Min.	Typ.	Max.	Min.	Typ.	Max.	Min.	Typ.	Max.	Typ.
			I <sub>F</sub> =20mA			I <sub>F</sub> =20mA						
OSWWD234E1A	White	W	2.7	2.9	3.4	1120	1560	-	CCT: 8500-18000K			140
OSMMD234E1A	Warm White	M	2.7	2.9	3.4	1120	1560	-	CCT:2700-3300K			140
OSBBS234E1A	Blue	B	2.7	2.9	3.4	330	500	-	465	465	475	140
OSPPD234E1A	Pure Green	PG	2.7	2.9	3.4	1560	2180	-	520	525	530	140
OSGGH234E1A	Yellow Green	YG	1.8	2.1	2.6	45	68	-	565	570	575	140
OSYYR234E1A	Yellow	Y	1.8	2.1	2.6	220	330	-	585	590	595	140
OSOOJ234E1A	Orange	O	1.8	2.1	2.6	220	330	-	600	605	610	140
OSRRR234E1A	Red	R	1.8	2.1	2.6	220	330	-	620	625	630	140

\*1 Tolerance of measurements of Domi. wavelength is ±1nm  
 \*2 Tolerance of measurements of chromaticity coordinates is ±10%  
 \*3 Tolerance of measurements of luminous intensity is ±15%  
 \*4 Tolerance of measurements of forward voltage is ±0.1V