

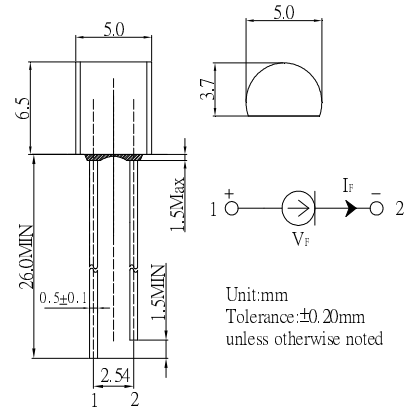
**CURRENT REGULATIVE DIODE (CRD)**

**■ Outline Dimension**

- CRD is a diode which supplies constant current to an electric circuit, when power supply voltage fluctuations or load impedance fluctuations occur.
- CRD is used for current stabilization and current limiting.
- CRD is offered on TO-92

**■ Features**

- Wide Operating Voltage Range
- Immediate Turn-On
- Voltage Surge Suppressing – Protecting LEDs



**■ Absolute Maximum Rating (Ta=25°C)**

Item	Symbol	Value	Unit
Input Voltage	$V_F$	24	V
Storage Temperature	$T_{stg}$	-40~ +125	°C
Thermal Resistance Junction-Ambient air	$R_{thA}$	<50	K/W <sup>2</sup>
Thermal Resistance Junction-Terminal	$R_{thT}$	<15	K/W
Collector Dissipation	$P_c$	0.75	W

**■ Electrical Characteristics (Ta=25°C)**

Part Number	Lens Color	Constant Current(I <sub>F</sub> )		Turn-on voltage(V <sub>k</sub> )		Withstand Voltage (V)
		I <sub>P</sub> (mA)	Voltage(V <sub>T</sub> )	V <sub>L</sub> (V)	I <sub>L</sub> (mA)	
OSCRDT118	Black Lens	16-18-19	10	≤3.5	≤0.8I <sub>H</sub>	>70

**■ Application Information**

**■ Basic characteristics**

