

0.56 Inch Two Digit SMD Display
OSK2056A-IX(Common Anode type)
OSK2056A-LX (Common Cathode type)

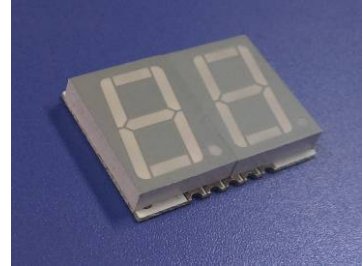
■ **Features**

- 0.56 Inch Two Digit Display
- Long lifetime operation
- IC compatible
- Low power dissipation
- Gray surface & white segment or dot
- RoHS compliant

■ **Applications**

- Counting device
- Clock

■ **Photo**



■ **Absolute Maximum Rating (Ta=25°C)**

Item	Symbol	Value		Unit
		W/B/TG	YG/Y/O/R	
DC Forward Current	I _F	25	25	mA
Pulse Forward Current*	I _{FP}	80	80	mA
Reverse Voltage	V _R	5	5	V
Power Dissipation	P _t	90	65	mW
Operating Temperature	Topr	-30~ +85		°C
Storage Temperature	Tstg	-40~ +100		°C
Lead Soldering Temperature(1.6mm Below body)	Tsol	260°C/3sec		°C

*Pulse width Max.10ms Duty ratio max 1/10

*Reflow time Max.3seconds

■ **Electrical -Optical Characteristics (Ta=25°C)**

Part Number	Color		V _F (V)			I _R (μA)	I _v (mcd)			λD(nm)			
			Min.	Typ.	Max.		Max.	Min.	Typ.	Max.	Min.	Typ.	Max.
			I _F =20mA			V _R =5V			I _F =10mA			I _F =20mA	
OSK2056A-IW(LW)	White	W	-	3.1	3.6	100	30	65	100	6000K	8000K	10000K	
OSK2056A-IB(LB)	Blue	B	■	-	3.1	3.6	100	8	16	25-	460	465	475
OSK2056A-IG(LG)	True green	TG	■	-	3.1	3.6	100	10	24	35	510	520	530
OSK2056A-IYG(LYG)	Yellow green	YG	■	-	2.1	2.6	100	5	13	20	565	570	575
OSK2056A-IY(LY)	Yellow	Y	■	-	2.1	2.6	100	8	16	25	585	590	595
OSK2056A-IO(LO)	Orange	O	■	-	2.1	2.6	100	8	16	25	600	605	610
OSK2056A-IR(LR)	Red	R	■	-	2.1	2.6	100	5	13	25	625	630	640

*1 Tolerance of measurements of chromaticity coordinate is ±10%

*2 Tolerance of measurements of dominant wavelength is ±1nm

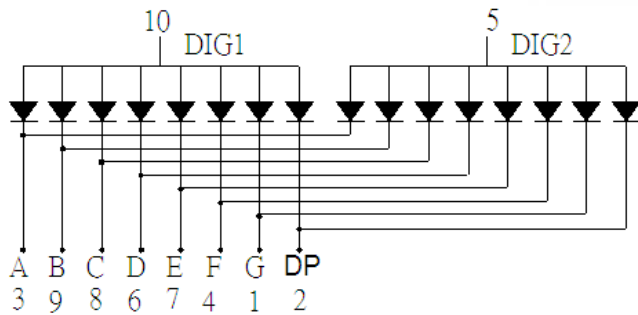
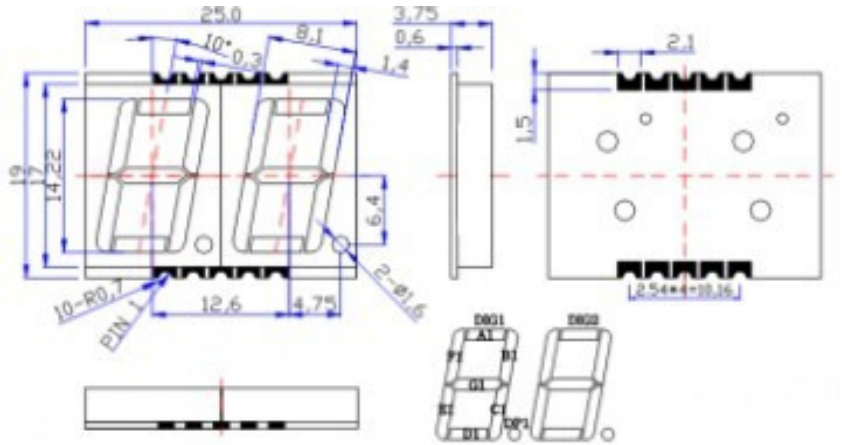
*3 Tolerance of measurements of luminous intensity is ±15%

*4 Tolerance of measurements of forward voltage is ±0.1V

■ Package Dimensions

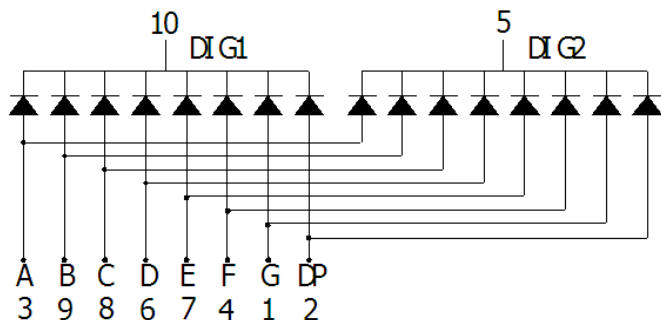
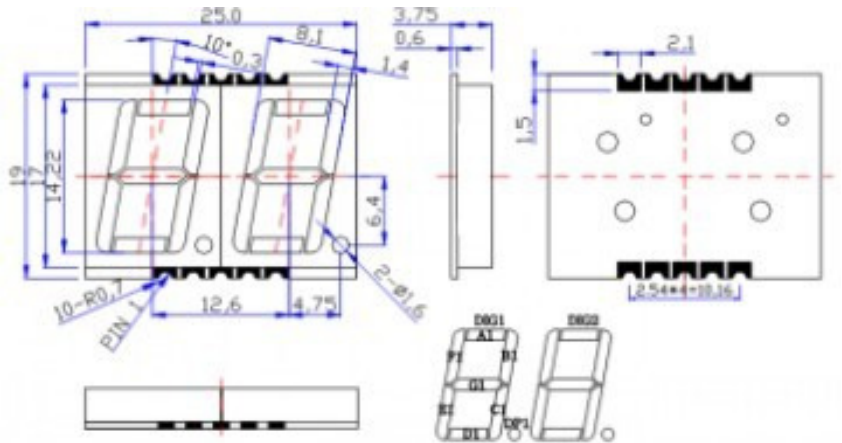
**OSK2056A-IX
(Common Anode type)**

Note:
1,Unit : mm(Tolerance:±0.25mm unless otherwise noted)

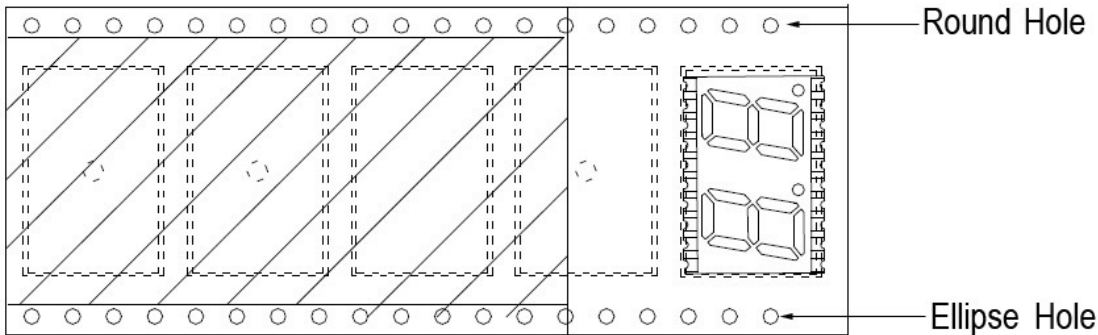


**OSK2056A-LX
(Common Cathode type)**

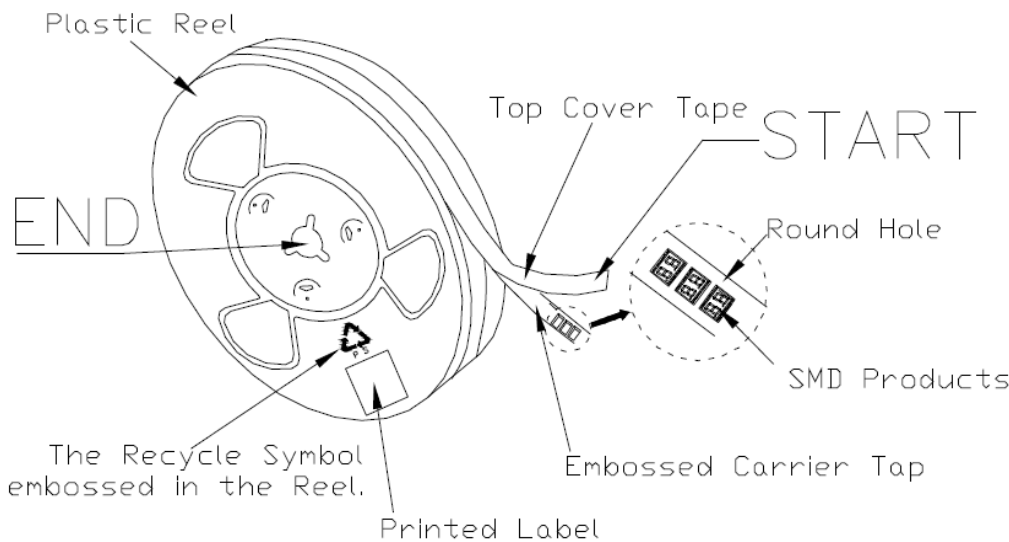
Note:
1,Unit : mm(Tolerance:±0.25mm unless otherwise noted)



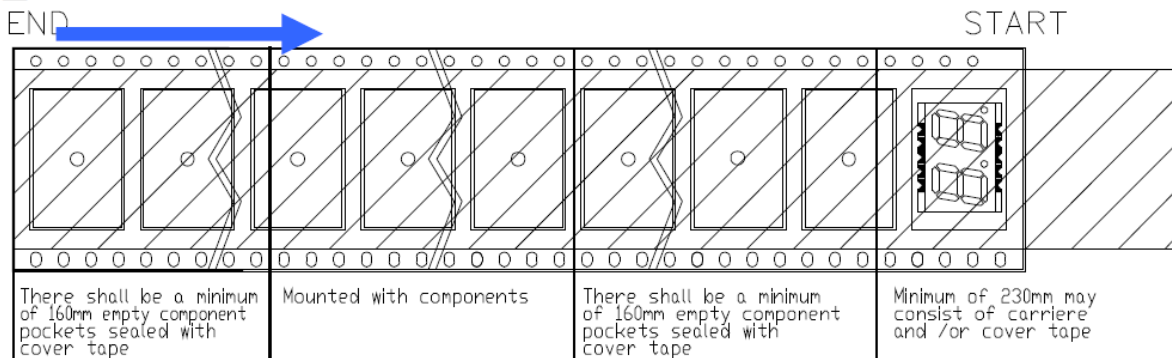
■ The Products In The Reel Of Direction



■ Label Direction & Content In The Roll



■ USER FEED DIRECTION



■ Package Criteria:

1. Total unit per reel is 500PCS.
2. Max 5 reels/2500PCS are packaged in each carton



CAUTION

This bag contains

MOISTURE-SENSITIVE DEVICES

LEVEL

3

1. Calculated shelf life in sealed bag:12 months at<40°C and <90% relative humidity (RH) .
2. Peak package body temperature:Per Product Label
3. After bag is opened,devices that will be subjected to reflow solder or other high temperature process must be
 - a)Mounted within:168 hours of factory conditions $\leq 30^{\circ}\text{C}/60\%RH$
 - b)stored per J-STD-033
4. Devices require bake,before mounting,if:
 - a)Humidity Indicator Card is >10%when read at $23 \pm 5^{\circ}\text{C}$
 - b)3a or 3b not met.
- 5.If baking is required,devices may be baked for 20 hours at $60 \pm 5^{\circ}\text{C}$

Bag Seal Date: _____

If Blank,see adjacent bar code label

Note:Level and body temperature defined by IPC/JEDEC J-STD-020