

Descriptions:

- Voltage available in **DC10V**
- LED Type: 3W RGB Power LED
- MCPCB
- Lens OS-OLIHA030P available

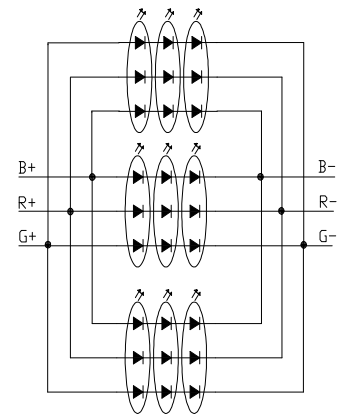
Application:

- Small Space Lighting
- Mechanical equipment lights

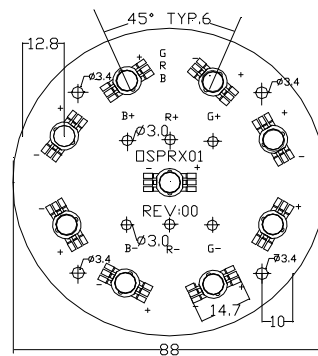
Photo



Circuit Diagram



Outline Dimension



Unit: mm
Tolerance: $\pm 0.3\text{mm}$

Typical Performance (Ta=25°C)

Item	Symbol	Condition	Min.	Typ.	Unit
Input Voltage(DC)	Vi(R)	IF=1050mA	6.0	7.5	V
	Vi(B/G)	IF=1050mA	9	10	V
Power Dissipation	Pa(R)	IF=1050mA	6.3	7.9	W
	Pa(B/G)	IF=1050mA	9.5	10.5	W
Whole Luminous Flux*	$\Phi_v(R)$	IF=1050mA	360	400	lm
	$\Phi_v(G)$	IF=1050mA	450	630	lm
	$\Phi_v(B)$	IF=1050mA	90	135	lm
Beam Pattern	BP	-	-	120	Deg
Operating Temperature	Topr	-30	-	85	°C
Storage Temperature	Tstg	-40	-	100	°C
Nos. of LED	Qty	-	9	-	PCS
Total diameter of PCB	Lmod.	-	88	-	mm

