

**Descriptions:**

- Voltage available in **DC10V**
- LED Type: 3W RGB Power LED
- MCPCB
- Lens OS-OLSH6620P available

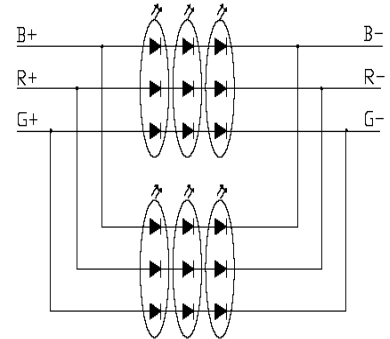
**Application:**

- Small Space Lighting
- Mechanical equipment lights

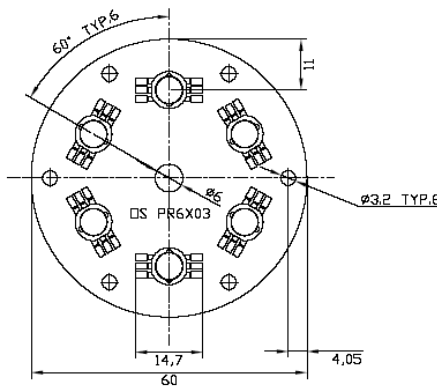
**Photo**



**Circuit Diagram**



**Outline Dimension**



Unit: mm  
Tolerance:  $\pm 0.3\text{mm}$

**Typical Performance (Ta=25°C)**

Item	Symbol	Condition	Min.	Typ.	Unit
Input Voltage(DC)	Vi(R)	IF=700mA	6.0	7.5	V
	Vi(B/G)	IF=700mA	9	10	V
Power Dissipation	Pa(R)	IF=700mA	4.2	5.2	W
	Pa(B/G)	IF=700mA	6.3	7	W
Whole Luminous Flux*	$\Phi_v(R)$	IF=700mA	240	300	lm
	$\Phi_v(G)$	IF=700mA	300	420	lm
	$\Phi_v(B)$	IF=700mA	60	90	lm
Beam Pattern	BP	-	-	120	Deg
Operating Temperature	Topr	-30	-	85	°C
Storage Temperature	Tstg	-40	-	100	°C
Nos. of LED	Qty	-	6	-	PCS
PCB Diameter	Lmod.	-	60	-	mm

