

## E10 AC/DC Screw LED Lamp

E10 AC/DC Screw LED Lamp is 2pcs of LED paralleled together in opposite direction and requires a resistor in series to permit direct connection to AC/DC 12V.

### ■ Features

- 8mm LED
- Water Clear Type
- AC/DC 12V

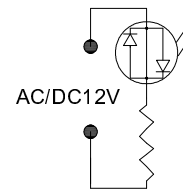
### ■ Applications

- Bicycle Light / Torch
- Dashboard Signal / Automotive Lighting

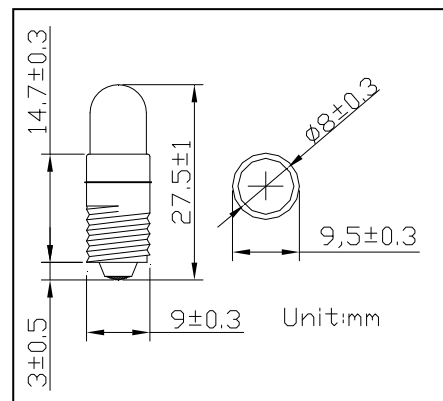
**Photo**



**Circuit Diagram**



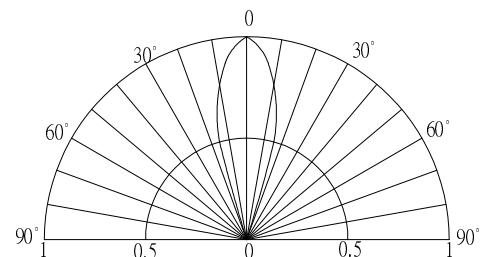
**Outline Dimension**



### ■ Absolute Maximum Rating (Ta=25°C)

Item	Symbol	Value	Unit
DC Forward Voltage	V <sub>F</sub>	14	V
Power Dissipation	P <sub>D</sub>	0.42	W
Operating Temperature	Topr	-30 ~ +85	°C
Storage Temperature	Tstg	-40~ +100	°C
Lead Soldering Temperature	Tsol	260°C/5sec	-

### ■ Directivity



### ■ Electrical -Optical Characteristics (Ta=25°C)

Part Number	Color	Control Voltage	Domi.	Luminous
		AC/DC (V)	Wavelength*	Intensity*
		Working Current: IF=20mA		
		Typ.	Typ.	Typ.
SAP12-WWD28B31F	Cool White	12	8000-17000K	20000mcd
SAP12-MMD28B31F	Warm White	12	2500-3500K	10000mcd
SAP12-BBS28B31F	Blue	12	465-475nm	7000mcd
SAP12-GGG28B31F	Green	12	520-530nm	20000mcd
SAP12-YYM28B31F	Yellow	12	585-595nm	10000mcd
SAP12-RRM28B31F	Red	12	620-630nm	10000mcd

\*1 Tolerance of measurements of dominant wavelength is  $\pm 1$ nm

\*2 Tolerance of measurements of luminous intensity is  $\pm 15\%$

\*3 Tolerance of measurements of chromaticity coordinate is  $\pm 10\%$

\*4 Tolerance of measurements of forward voltage is  $\pm 0.1$ V