

## E10 AC/DC Screw LED Lamp

E10 AC/DC Screw LED Lamp is 2pcs of LED paralleled together in opposite direction and requires a resistor in series to permit direct connection to AC/DC 24V.

### ■ Features

- 8mm LED
- Water Clear Type
- AC/DC 24V

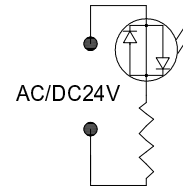
### ■ Applications

- Bicycle Light / Torch
- Dashboard Signal / Automotive Lighting

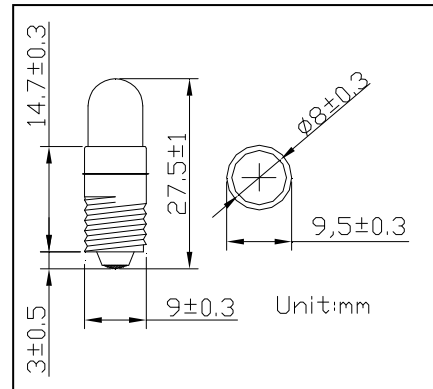
### Photo



### Circuit Diagram



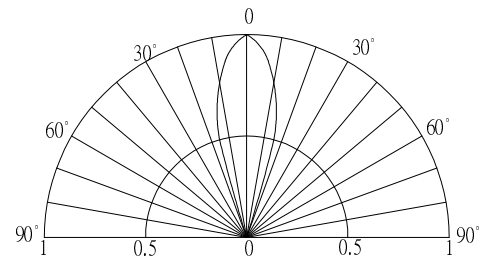
### Outline Dimension



### ■ Absolute Maximum Rating (Ta=25°C)

Item	Symbol	Value	Unit
DC Forward Voltage	V <sub>F</sub>	24	V
Power Dissipation	P <sub>D</sub>	0.48	W
Operating Temperature	T <sub>opr</sub>	-30 ~ +85	°C
Storage Temperature	T <sub>stg</sub>	-40 ~ +100	°C
Lead Soldering Temperature	T <sub>sol</sub>	260°C/5sec	-

### ■ Directivity



### ■ Electrical -Optical Characteristics (Ta=25°C)

Part Number	Color	Control Voltage	Domi.	Luminous
		AC/DC (V)	Wavelength*	Intensity*
		Working Current: I <sub>F</sub> =20mA		
		Typ.	Typ.	Typ.
SAP24-WWD28B31F	Cool White	24	8000-17000K	20000mcd
SAP24-MMD28B31F	Warm White	24	2500-3500K	10000mcd
SAP24-BBS28B31F	Blue	24	465-475nm	7000mcd
SAP24-GGG28B31F	Green	24	520-530nm	20000mcd
SAP24-YYM28B31F	Yellow	24	585-595nm	10000mcd
SAP24-RRM28B31F	Red	24	620-630nm	10000mcd

\*1 Tolerance of measurements of chromaticity coordinate is +10%

\*2 Tolerance of measurements of luminous intensity is +15%

\*3 Tolerance of measurements of forward voltage is ±0.1V

\*4 Tolerance of measurements of dominant wavelength is ±1nm