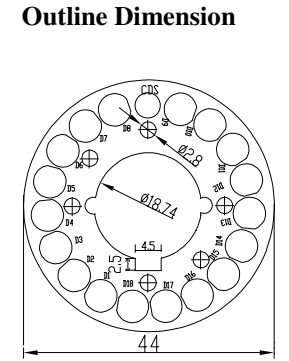
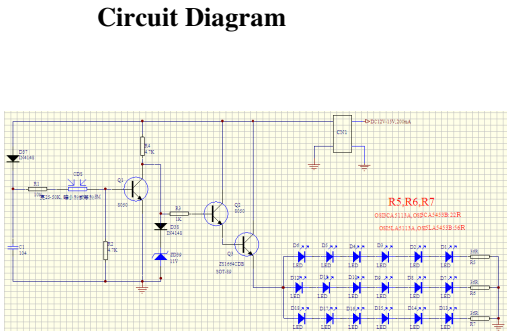


Descriptions:

- IR Power On –CDS Auto Control
- Wavelength available in 850nm / 940nm
- Superior UV Resistance
- 0 Lux with IR LED ON. Adopt high Radiant Power IR LED, having very good night-vision effect
- Voltage available in **DC12V**
- Diameter(outer):44mm
- Diameter(inner): 18.75mm
- Height: 9mm

Application:

- Pickup device
- CCTV camera, IR camera
- Monitoring devices. Remote controlling



Unit: mm
Tolerance: ±0.5

Typical Performance (Ta=25°C)

Items	Symbol	Min.	Typ.	Max.	Units
LED Module Power	Pm	-	1.7	2.9	w
Input Voltage(DC)	Vi	-	12	15	V
Input Current	If	-	0.13	0.19	A
Operating Temperature	Topr	-30	-	85	°C
Storage Temperature	Tstg	-40	-	100	°C
LED Quantity	QTY		18		PCS

Device Selection Guide

Module No.	LED Type	Wavelength (Typ.)	LED Module Beam Angle	Radiant Intensity
OSFKS5CS	5mm Round	850nm	60 deg	40 mW/Sr
OSFKS5CC	5.0x4.1mm Oval	850nm	120 deg	30 mW/Sr
OSFKS5JS	5mm Round	940nm	60 deg	45 mW/Sr
OSFKS5JC	5.0x4.1mm Oval	940nm	120 deg	35 mW/Sr