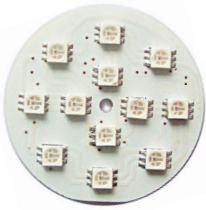
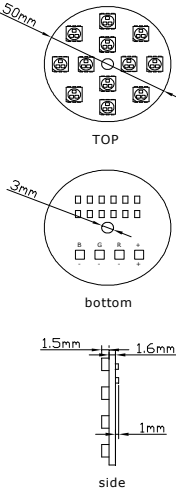
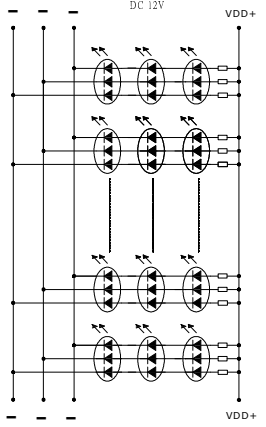
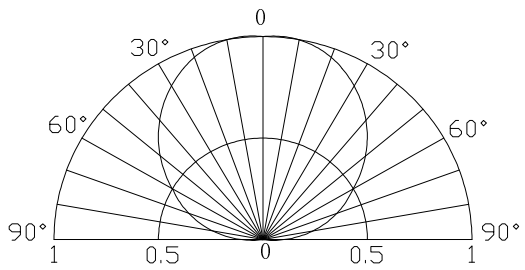


SMD LED Module
12 x SMD5050
OSMW05C12GP-XXXXS4C1A

<p>Descriptions:</p> <ul style="list-style-type: none"> •Voltage available in DC12V •Nos. of LED : 12 x SMD5050 <p>Application:</p> <ul style="list-style-type: none"> •Channel letter signs •Indirect accent décor light •Large area back lighting •Under counter light •Decorate building's contour •Substitute neon light 	<p>Photo</p> 	<p>Outline Dimension</p> 	<p>Circuit Diagram</p> 
---	---	---	---

Typical Performance (Ta=25°C)

Items	Symbol	Min.	Typ.	Max.	Units
LED Module Power	Pm		2.88	5.04	w
Input Voltage(DC)	Vi		12	14	V
Input Current	If		0.24	0.36	A
Beam Pattern	BP		120		Deg
Operating Temperature	Topr	-30		85	°C
Storage Temperature	Tstg	-40		100	°C
LED Quantity	QTY		12		PCS
PCB Diameter	Lmod.		50		mm



Device Selection Guide

Module No.	Color	Dom. Wavelength(Typ.)	Luminous Flux / Per LED(Typ.)
OSMW05C12GP-R5PTS4C1A	Red	625±5nm	4.5 lm
OSMW05C12GP-Y5PTS4C1A	Yellow	590±5nm	4.5 lm
OSMW05C12GP-G5DTS4C1A	Pure Green	525±5nm	6.0 lm
OSMW05C12GP-B5STS4C1A	Blue	470±5nm	3.3 lm
OSMW05C12GP-W44TS4C1A	White	5500~6500~8500K	21 lm
OSMW05C12GP-M54TS4C1A	Warm White	2700~3000~3200K	18 lm
OSMW05C12GP-TCMBS4C1A	Green	525±5nm	2.0 lm
	Red	625±5nm	1.5 lm
	Blue	470±5nm	1.1 lm