

**■ Features**

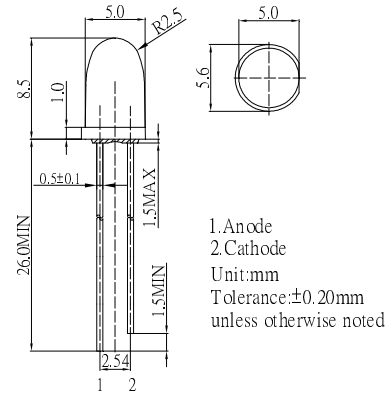
- High Luminous LEDs
- 5mm Bullet Standard Directivity
- Superior Weather-resistance
- UV Resistant Epoxy
- Water Clear Type

**Cree: C543A Series**

**■ Applications**

- Electronic Signs And Signals
- Small Area Illuminations
- Back Lighting/ Other Lighting

**■ Outline Dimension**

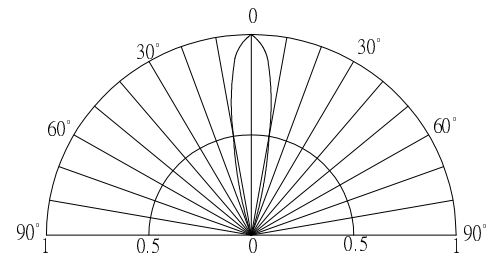


**■ Absolute Maximum Rating (Ta=25°C)**

(Ta=25°C)

Item	Symbol	Value	Unit
		W/M	
DC Forward Current	I <sub>F</sub>	30	mA
Pulse Forward Current*	I <sub>FP</sub>	100	mA
Reverse Voltage	V <sub>R</sub>	5	V
Power Dissipation	P <sub>D</sub>	108	mW
Operating Temperature	Topr	-30 ~ +85	°C
Storage Temperature	Tstg	-40~ +100	°C
Lead Soldering Temperature	Tsol	260°C/5sec	-

**■ Directivity**



\*Pulse width Max.10ms Duty ratio max 1/10

**■ Electrical -Optical Characteristics (Ta=25°C)**

(Ta=25°C)

Part Number	Color		V <sub>F</sub> (V)			I <sub>R</sub> (μA)	I <sub>v</sub> (mcd)			CCT(K)*			2θ1/2(deg)
			Min.	Typ.	Max.	Max.	Min.	Typ.	Max.	Min.	Typ.	Max.	Typ.
			I <sub>F</sub> =20mA			V <sub>R</sub> =5V		I <sub>F</sub> =20mA					
OSW6DK5221A	Cool White	W	2.8	3.1	3.6	10	12000	14400	-	13000-35000K(X:0.25,Y:0.26)			20
OSW64K5221A	Cool White	W	2.7	3.0	3.6	10	14400	18000	-	13000-35000K(X:0.25,Y:0.26)			20
OSW5DK5221A	Cool White	W	2.8	3.1	3.6	10	14400	18000	-	8500-18000K(X:0.27,Y:0.28)			20
OSW54K5221A	Cool White	W	2.7	3.0	3.6	10	18000	22000	-	8500-18000K(X:0.27,Y:0.28)			20
OSW4DK5221A	White	W	2.8	3.1	3.6	10	14400	18000	-	5500-8500K(X:0.31,Y:0.33)			20
OSW44K5221A	White	W	2.7	3.0	3.6	10	18000	22000	-	5500-8500K(X:0.31,Y:0.33)			20
OSM5DK5221A	Warm White	M	2.8	3.1	3.6	10	14400	18000	-	2700-3200K(X:0.44,Y:0.41)			20
OSM54K5221A	Warm White	M	2.7	3.0	3.6	10	18000	22000	-	2700-3300K(X:0.44,Y:0.41)			20
OSM6DK5221A	Warm White	M	2.8	3.1	3.6	10	14400	18000	-	2900-3800K(X:0.42,Y:0.40)			20
OSM64K5221A	Warm White	M	2.7	3.0	3.6	10	18000	22000	-	2900-3800K(X:0.42,Y:0.40)			20

\*1 Tolerance of measurements of chromaticity coordinate is ±10%

\*2 Tolerance of measurements of luminous intensity is ±15%

\*3 Tolerance of measurements of forward voltage is±0.1V