

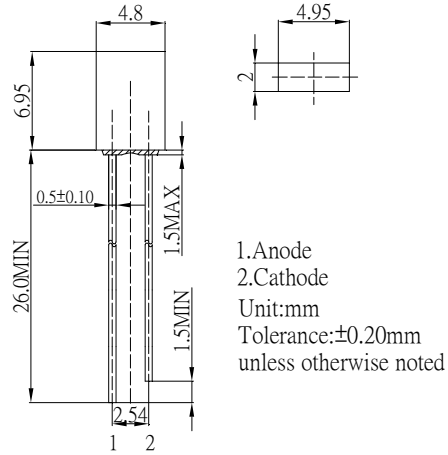
■ Features

- High Luminous LEDs
- 2x5x7mm Rectangular Standard Directivity
- Superior Weather-resistance
- UV Resistant Epoxy
- Color diffused Type
- **Stanley: 5351 Series**

■ Applications

- Traffic Signal
- Backlighting
- Signal and channel letter
- Other Lighting

■ Outline Dimension

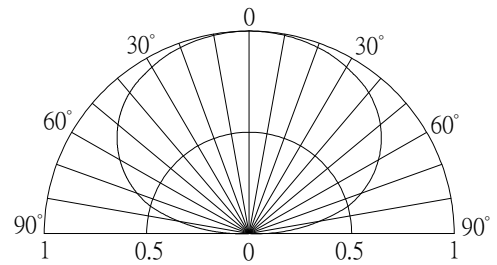


■ Absolute Maximum Rating

(Ta=25°C)

Item	Symbol	Value		Unit
		YG/Y/O/R		
DC Forward Current	I _F	30		mA
Pulse Forward Current*	I _{FP}	100		mA
Reverse Voltage	V _R	5		V
Power Dissipation	P _D	78		mW
Operating Temperature	T _{opr}	-30 ~ +85		°C
Storage Temperature	T _{stg}	-40 ~ +100		°C
Lead Soldering Temperature	T _{sol}	260°C/ 5sec		-

■ Directivity



*Pulse width Max.10ms Duty ratio max 1/10

■ Electrical -Optical Characteristics

(Ta=25°C)

Part Number	Color		V _F (V)			I _R (μA)	I _v (mcd)			Wd(nm)*			2θ1/2(deg)
			Min.	Typ.	Max.	Max.	Min.	Typ.	Max.	Min.	Typ.	Max.	Typ.
			I _F =20mA			V _R =5V	I _F =20mA						
OSG8NU71F4B	Yellow Green	YG	1.8	2.1	2.6	10	10	20	-	565	570	575	150
OSY5LU71F4B	Yellow	Y	1.8	2.1	2.6	10	30	45	-	585	590	595	150
OSY5JA71F4B	Yellow	Y	1.8	2.1	2.6	10	45	68	-	585	590	595	150
OSO5JA71F4B	Orange	O	1.8	2.1	2.6	10	68	100	-	600	605	610	150
OSR5JA71F4B	Red	R	1.8	2.1	2.6	10	45	68	-	620	625	630	150
OSR6LU71F4B	Red	R	1.8	2.1	2.6	10	20	30	-	630	640	650	150
OSR7CA71F4B	Red	R	1.8	2.1	2.6	10	100	150	-	650	660	670	150

*1 Tolerance of measurements of dominant wavelength is ±1nm

*2 Tolerance of measurements of luminous intensity is ±15%

*3 Tolerance of measurements of forward voltage is ±0.1V