

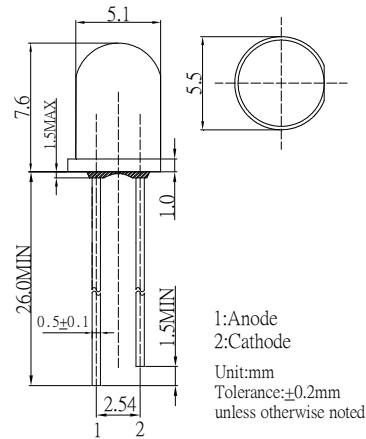
■ Features

- High Luminous LEDs
- 5mm Round Standard Directivity
- Superior Weather-resistance
- UV Resistant Epoxy
- Color Transparent Type /Color Diffused Type
- Rohm:560Series/ Stanley:5335Series

■ Applications

- Electronic Signs And Signals
- Small Area Illuminations
- Back Lighting
- Other Lighting

■ Outline Dimension

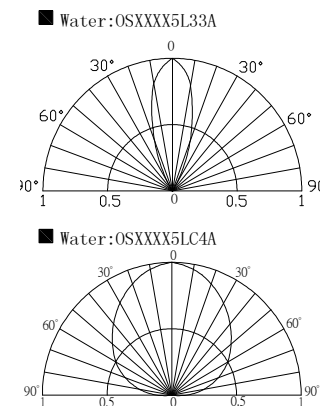


■ Absolute Maximum Rating (Ta=25°C)

Item	Symbol	Value		Unit
		W/M/TG/B	YG/Y/O/R	
DC Forward Current	I _F	30	30	mA
Pulse Forward Current*	I _{FP}	100	100	mA
Reverse Voltage	V _R	5	5	V
Power Dissipation	P _D	108	78	mW
Operating Temperature	T _{opr}	-30 ~ +85		°C
Storage Temperature	T _{stg}	-40 ~ +100		°C
Lead Soldering Temperature	T _{sol}	260°C/5sec		-

*Pulse width Max.10ms Duty ratio max 1/10

■ Directivity



■ Electrical -Optical Characteristics (Ta=25°C)

Part Number	Color		V _F (V)			I _R (μA)	I _v (mcd)			Wd (nm)*			2θ1/2 (deg)
			Min.	Typ.	Max.	Max.	Min.	Typ.	Max.	Min.	Typ.	Max.	Typ.
			I _F =20mA			V _R =5V	I _F =20mA						
OSW4YK5L31A	White	W	2.8	3.1	3.6	10	3000	4200	-	X:0.31, Y:0.33			30
OSM5YK5L31A	Warm White	M	2.8	3.1	3.6	10	3000	4200	-	X:0.45, Y:0.41			30
OSB5YU5L33A	Blue	B	2.8	3.1	3.6	10	500	750	-	465	470	475	30
OSB5SA5L33A	Blue	B	2.8	3.1	3.6	10	1120	1560	-	465	470	475	30
OSG5TA5L33A	Pure Green	PG	2.8	3.1	3.6	10	2180	3000	-	520	525	530	30
OSG8NU5L33A	Yellow Green	YG	1.8	2.1	2.6	10	150	220	-	565	570	575	30
OSY5LU5L33A	Yellow	Y	1.8	2.1	2.6	10	330	500	-	585	590	595	30
OSY5JA5L33A	Yellow	Y	1.8	2.1	2.6	10	500	750	-	585	590	595	30
OSO5JA5L33A	Orange	O	1.8	2.1	2.6	10	750	1120	-	600	605	610	30
OSR5JA5L33A	Red	R	1.8	2.1	2.6	10	500	750	-	620	625	630	30
OSR6LU5L33A	Red	R	1.8	2.1	2.6	10	220	330	-	630	640	650	30

*1 Tolerance of measurements of chromaticity coordinate is ±10%

*3 Tolerance of measurements of luminous intensity is ±15%

*2 Tolerance of measurements of dominant wavelength is ±1nm

*4 Tolerance of measurements of forward voltage is ±0.1V

■ **Electrical -Optical Characteristics** (Ta=25°C)

Part Number	Color			V _F (V)			I _R (μA)	I _v (mcd)			Wd(nm)*			2θ1/2(deg)
				Min.	Typ.	Max.	Max.	Min.	Typ.	Max.	Min.	Typ.	Max.	Typ.
				I _F =20mA			V _R =5V			I _F =20mA				
OSW4YK5LC2A	White	W		2.8	3.1	3.6	10	500	750	-	X:0.31,Y:0.33			120
OSM5YK5LC2A	Warm White	M	■	2.8	3.1	3.6	10	500	750	-	X:0.45,Y:0.41			120
OSB5YU5LC4A	Blue	B	■	2.8	3.1	3.6	10	100	150	-	465	470	475	120
OSB5SA5LC4A	Blue	B	■	2.8	3.1	3.6	10	150	220	-	465	470	475	120
OSG5TA5LC4A	Pure Green	PG	■	2.8	3.1	3.6	10	330	500	-	520	525	530	20
OSG8NU5LC4A	Yellow Green	YG	■	1.8	2.1	2.6	10	30	45	-	565	570	575	120
OSY5LU5LC4A	Yellow	Y	■	1.8	2.1	2.6	10	68	100	-	585	590	595	120
OSY5JA5LC4A	Yellow	Y	■	1.8	2.1	2.6	10	100	150	-	585	590	595	120
OSO5JA5LC4A	Orange	O	■	1.8	2.1	2.6	10	150	220	-	600	605	610	120
OSR5JA5LC4A	Red	R	■	1.8	2.1	2.6	10	100	150	-	620	625	630	120
OSR6LU5LC4A	Red	R	■	1.8	2.1	2.6	10	45	68	-	630	640	650	120

*1 Tolerance of measurements of chromaticity coordinate is ±10%

*2 Tolerance of measurements of dominant wavelength is ±1nm

*3 Tolerance of measurements of luminous intensity is ±15%

*4 Tolerance of measurements of forward voltage is ±0.1V