

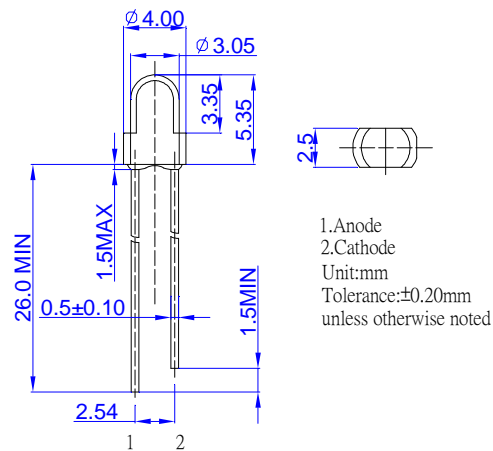
■ Features

- High Luminous LEDs
- 3.05mm Tombstone Standard Directivity
- Superior Weather-resistance
- UV Resistant Epoxy
- Color Transparent Type / Color Diffused Type
- **Rohm:322Series**

■ Applications

- Electronic Signs And Signals
- Small Area Illuminations
- Back Lighting
- Other Lighting

■ Outline Dimension



■ Absolute Maximum Rating

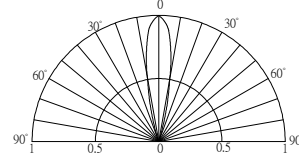
(Ta=25°C)

Item	Symbol	Value		Unit
		YG/Y/O/R		
DC Forward Current	I _F	30		mA
Pulse Forward Current*	I _{FP}	100		mA
Reverse Voltage	V _R	5		V
Power Dissipation	P _D	78		mW
Operating Temperature	Topr	-30 ~ +85		°C
Storage Temperature	Tstg	-40 ~ +100		°C
Lead Soldering Temperature	Tsol	260°C/5sec		-

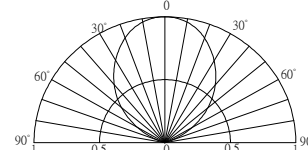
*Pulse width Max.10ms Duty ratio max 1/10

■ Directivity

■ Clear:OSXXXX6823A



■ Diffused:OSXXXX6894A



■ Electrical -Optical Characteristics

(Ta=25°C)

Part Number	Color			V _F (V)			I _R (μA)	I _v (mcd)			Wd(nm)*			2θ1/2(deg)
				Min.	Typ.	Max.	Max.	Min.	Typ.	Max.	Min.	Typ.	Max.	Typ.
				I _F =20mA			V _R =5V		I _F =20mA					
OSG8NU6823A	Yellow Green	YG		1.8	2.1	2.6	10	330	500	-	565	570	575	20
OSY5LU6823A	Yellow	Y		1.8	2.1	2.6	10	750	1120	-	585	590	595	20
OSO5JA6823A	Orange	O		1.8	2.1	2.6	10	1560	2180	-	600	605	610	20
OSR5JA6823A	Red	R		1.8	2.1	2.6	10	1560	2180	-	620	625	630	20
OSR6LU6823A	Red	R		1.8	2.1	2.6	10	500	750	-	630	640	650	20
OSG8NU6894A	Yellow Green	YG		1.8	2.1	2.6	10	25	35	-	565	570	575	90
OSY5LU6894A	Yellow	Y		1.8	2.1	2.6	10	68	100	-	585	590	595	90
OSO5JA6894A	Orange	O		1.8	2.1	2.6	10	150	220	-	600	605	610	90
OSR5JA6894A	Red	R		1.8	2.1	2.6	10	150	220	-	620	625	630	90
OSR6LU6894A	Red	R		1.8	2.1	2.6	10	45	68	-	630	640	650	90

*1 Tolerance of measurements of dominant wavelength is ±1nm

*2 Tolerance of measurements of luminous intensity is ±15%

*3 Tolerance of measurements of forward voltage is ±0.1V