

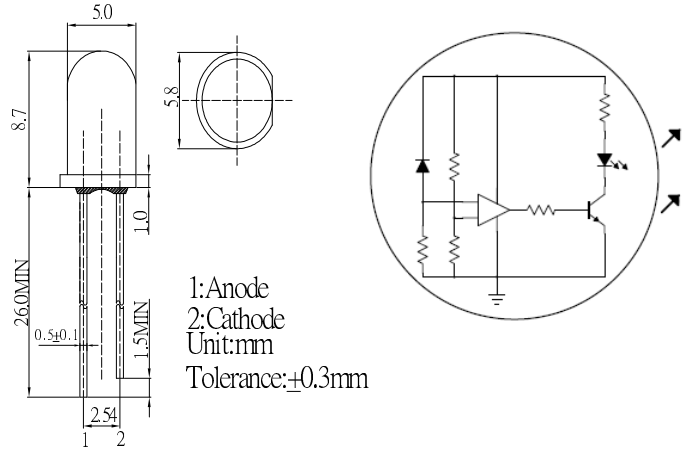
**■ Features**

- Current consumption is low
- All in one function to simplify product design
- Detector Voltage:  
2.7V; 2.9V; 3.3V; 3.6V; 3.9V; 4.2V Typ.

**■ Applications**

- Voltage Monitor
- Battery Case

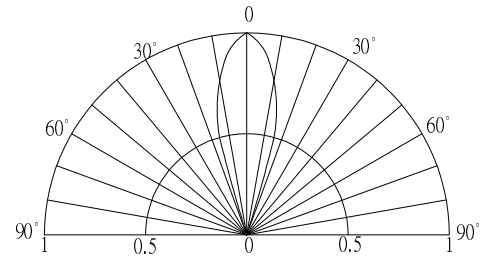
**■ Outline Dimension & Equivalent Circuit**



**■ Maximum Ratings**

(Ta=25°C)

Characteristic	Symbol	Rating	Unit
Supply Voltage	V <sub>cc</sub>	-0.3~+15.0	V
Power Dissipation	P <sub>D</sub>	100	mW
Operating Temperature	T <sub>opr</sub>	-30 ~ +75	°C
Storage Temperature	T <sub>stg</sub>	-40 ~ +100	°C
Lead Soldering Temperature	T <sub>sol</sub>	260°C/ 5sec	-



**■ Electrical -Optical Characteristics**

(Ta=25°C)

Part Number	Voltage Detector		Size	Lens Color	V <sub>F</sub> (V)			λ <sub>D</sub> (nm)			2θ1/2(deg)
	Color				Min.	Typ.	Max.	Min.	Typ.	Max.	Typ.
	Lower	Normal									
OSD127R55A1	■	-	5 mm	Water Clear	2.55	2.7	2.85	620	625	630	30
OSD127R55A2	■	-	5 mm	White Diffused	2.55	2.7	2.85	620	625	630	30
OSD129R55A1	■	-	5 mm	Water Clear	2.75	2.9	3.05	620	625	630	30
OSD129R55A2	■	-	5 mm	White Diffused	2.75	2.9	3.05	620	625	630	30
OSD133R55A1	■	-	5 mm	Water Clear	3.15	3.3	3.45	620	625	630	30
OSD133R55A2	■	-	5 mm	White Diffused	3.15	3.3	3.45	620	625	630	30
OSD136R55A1	■	-	5 mm	Water Clear	3.45	3.6	3.75	620	625	630	30
OSD136R55A2	■	-	5 mm	White Diffused	3.45	3.6	3.75	620	625	630	30
OSD139R55A1	■	-	5 mm	Water Clear	3.75	3.9	4.05	620	625	630	30
OSD139R55A2	■	-	5 mm	White Diffused	3.75	3.9	4.05	620	625	630	30
OSD142R55A1	■	-	5 mm	Water Clear	4.05	4.2	4.35	620	625	630	30
OSD142R55A2	■	-	5 mm	White Diffused	4.05	4.2	4.35	620	625	630	30

\*1 Tolerance of measurements of dominant wavelength is ±1nm

\*2 Tolerance of measurements of forward voltage is ±0.1V