

■Description

- Mounting hole size: 12mm
- LED light color: Blue
- LED type: Bi-directional LED lamp beads (AC/DC)
- Protection level: IP65/IK09
- Switch combination: 1NO
- Operation type: Self-reset
- Shell material: Stainless steel
- Base material: Engineering plastics

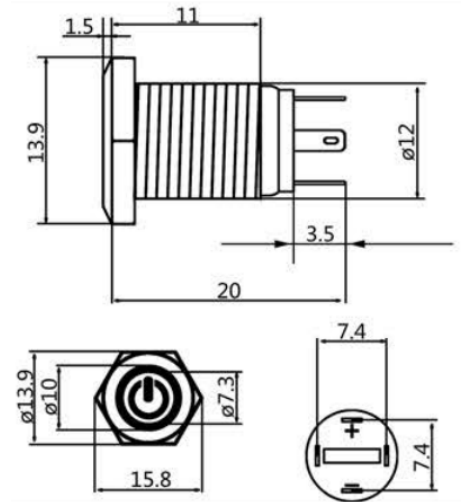
■Product Picture



Unit:mm

Tolerance:±0.30mm



■Outline Dimension



■Applications

- Industrial Automation Equipment
- Vehicle and Transportation Equipment
- Home Appliance and Commercial Equipment

■Switching Structure Description

Type	Symbol	Schematic Diagram
1NO		

*Description: Double-break slow-moving contact switch with two terminals

■Absolute Maximum Rating

Item	Value
Rated insulation voltage	AC 250V
Heating current	3A
Rated voltage	DC 12-24V
Resistive load	2-3A
Inductive load	0.8-1.2A
Contact resistance	≤50Ω
Insulation resistance	≥1000MΩ
Insulation strength	1000V AC
Operation stroke connected about	0.9mm
Total travel about	2.5mm
Operating temperature	-30 ~ +55°C
Storage temperature	-30 ~ +55°C