

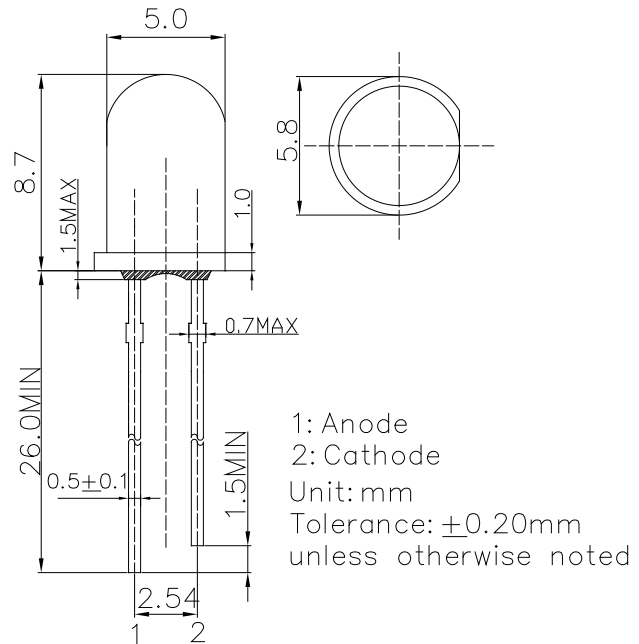
■Features

- High Radiant Power LEDs
- 5mm Round Standard Directivity
- UV Resistant Epoxy
- Water Clear Type

■Applications

- Horticulture Lighting

■Outline Dimension

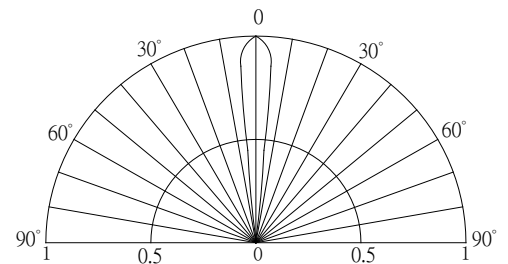


■Absolute Maximum Rating (Ta=25°C)

Item	Symbol	Value	Unit
DC Forward Current	I_F	70	mA
Pulse Forward Current#	I_{FP}	200	mA
Reverse Voltage	V_R	5	V
Power Dissipation	P_D	175	mW
Operating Temperature	T_{opr}	-30 ~ +85	°C
Storage Temperature	T_{stg}	-40 ~ +100	°C
Lead Soldering Temperature	T_{sol}	260°C/5sec	-

#Pulse width Max.10ms Duty ratio max 1/10

■Directivity



■Electrical -Optical Characteristics (Ta=25°C)

Item	Symbol	Condition	Min.	Typ.	Max.	Unit
DC Forward Voltage*1	V_F	$I_F=50$ mA	-	2.0	2.5	V
DC Reverse Current	I_R	$V_R=5$ V	-	-	10	μ A
Peak Wavelength*2	λ_p	$I_F=50$ mA	720	730	740	nm
Radiant Power*3	Φ_e	$I_F=50$ mA	50	55	-	mW
Radiant Intensity*4	I_e	$I_F=50$ mA	250	280	-	mW/Sr
50% Power Angle	$2\theta_{1/2}$	$I_F=50$ mA	-	15	-	deg

*1 Tolerance of measurements of forward voltage is ± 0.1 V

*2 Tolerance of measurements of peak wavelength is ± 1 nm

*3 Tolerance of measurements of Radiant Power is $\pm 15\%$

*4 Tolerance of measurements of Radiant Intensity is $\pm 15\%$