

BA9S Bayonet type Multi-Voltage LED Lamp

This LED Lamp built-in with resistor to operate with wide voltage of DC3-15V.

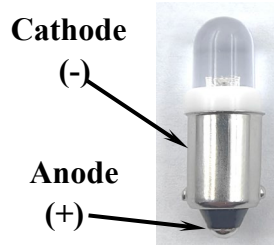
■ Features

- High luminous intensity
- 8mm round LED
- Color transparent
- Wide input voltage range (3-15V)
- Cost saving

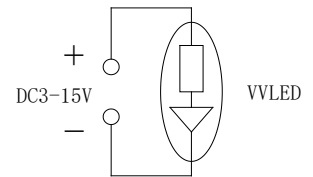
■ Applications

- Bicycle Light / Torch
- Dashboard Signal / Automotive Lighting

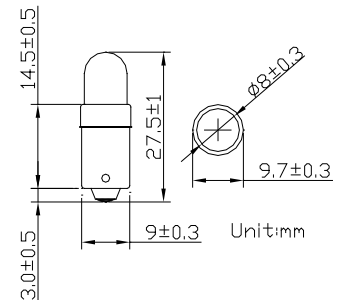
Photo



Circuit Diagram



Outline Dimension

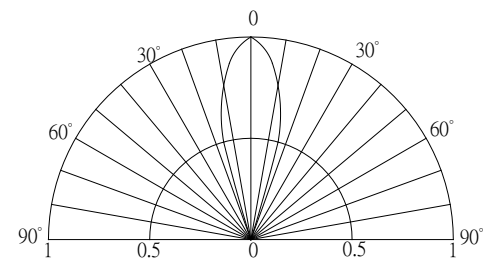


■ Absolute Maximum Rating

(Ta=25°C)

Item	Symbol	Value	Unit
DC Forward Voltage	V _F	15	V
Reverse Voltage	V _R	12	V
Power Dissipation	P _D	190	mW
Operating Temperature	Topr	-30 ~ +85	°C
Storage Temperature	Tstg	-40 ~ +100	°C
Lead Soldering Temperature	Tsol	260°C/5sec	-

■ Directivity



■ Electrical -Optical Characteristics

(Ta=25°C)

Part Number	Emitting Color	I _F (mA)*			I _v (mcd)*			λD(nm)* / CCT(K)*			2θ1/2(deg)
		Min.	Typ.	Max.	Min.	Typ.	Max.	Min.	Typ.	Max.	Typ.
		V _F =9V			V _F =9V						
OEVV-W54K8B31B	White	-	7.5	-	-	7000	-	8500-18000K (X:0.27,Y:0.28)			30
OEVV-M54K8B31B	Warm White	-	7.5	-	-	7000	-	2700-3300K (X:0.45,Y:0.41)			30
OEVV-B5DA8B33B	Blue	-	7.5	-	-	2500	-	465	470	475	30
OEVV-G58A8B33B	Pure Green	-	7.5	-	-	7000	-	520	525	530	30
OEVV-Y5PA8B33B	Yellow	-	8	-	-	4200	-	585	590	595	30
OEVV-R5PA8B33B	Red	-	8	-	-	4200	-	620	625	630	30

*1 Tolerance of measurements of Domi. wavelength is ±1nm

*2 Tolerance of measurements of color temperature is ±10%

*3 Tolerance of measurements of luminous intensity is ±15%

*4 Tolerance of measurements of forward voltage is ±0.1V